

Military Applications



MLOC 02 / Twin

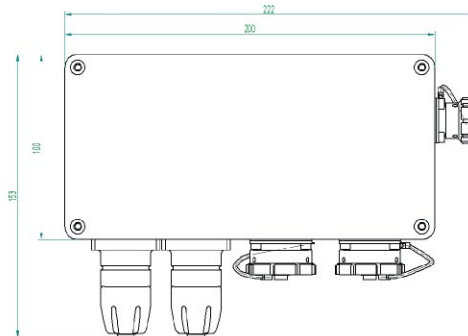
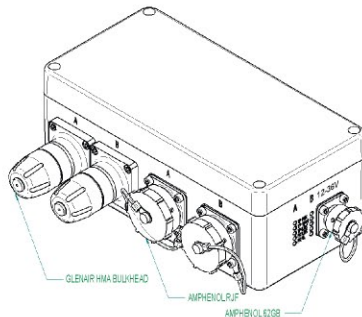
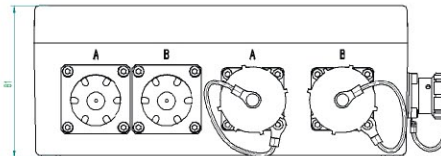
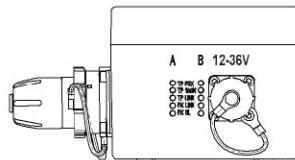
10/100Base-TX to 100Base-FX Media Converters

Specifications :

Protocol	IEEE 802.3 10Base-T, IEEE 802.3u 100Base-TX
Cable	FX Port / IEEE 802.3u 100Base-FX compliant, Wavelength: 1300nm Cat.5 UTP cable Ref.distance 100m, MMF Full Duplex 62,5/125um, 50/125um Ref.distance 2km
LEDs	TP port: Link/Act, Speed, Duplex status FX port: Link/Act status, Fiber signal detected
Connectors	TP port: 2 x Amphenol RJF (other types upon your request) FX port: 2 x Glenair HMA Bulkhead (other types upon your request) Power supply: Amphenol 62GB (other types upon your request)
Packet size	Up to 1522 bytes for store and forward mode, No packet size limit for smart forward mode (100-to-100)
Operating temperature	-30°C to 60°C
Storage temperature	-40°C to +70°C
Environment	Relative humidity 5% to 95% non condensing MIL-STD 810E Compliant
Mechanical ruggedness	MIL-STD 810E Compliant
EMC	MIL-STD 461E and MIL-STD 464E Compliant
Operating Voltage	+12V to 36V DC, 5W
Dimensions	200x100x81mm (box) / 222x153x81 (connectors inclusive / other types upon your request)



- 10/100Base-TX to 100Base-FX Media Converters



Key features:

- Convert speed and media type in full wire speed.
- Support 10/100M dual speed on TP connections, auto negotiation, auto MDI/MDI-X detection
- Transparent to 802.1Q VLAN tagged packets
- Far End Fault function on FX port
- Link fault pass through function
- Provide user accessible settings for TP port configuration. disabling link fault pass through function