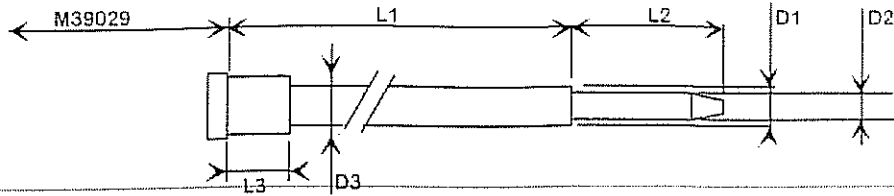


Type  
 Customer use drawing D 38999/III MD 002

Visa  
 NG2403

Date  
 24/03/04

Contact Dimension



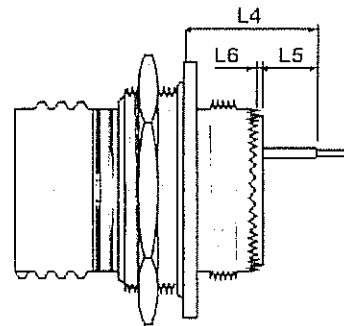
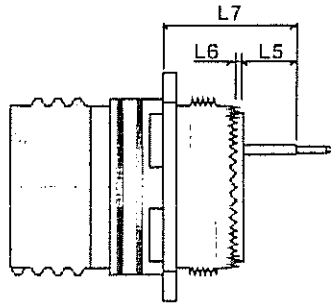
Dimensions in mm

Contact P/N	type	Gauge	L1 ±0,05	L2 ±0,05	L3 ±0,05	D1 ±0,05	D2 ±0,05	D3 ±0,05
0103-02-0022	S	22D	15,3	4	5,95	1	0,68	1,18
0103-01-0022	P		15,3	4	5,95	1	0,68	1,18
0103-02-0020	S	20	15,3	4	#	1,75	0,68	#
0103-01-0020	P		15,3	4	#	1,75	0,68	#
0103-02-0016	S	16	15,3	4,8	8,4	2,17	0,68	2,58
0103-01-0016	P		15,3	4,8	8,4	2,17	0,68	2,58

Receptacle dimensions :

square flange  
 AE320 (D 38999 / 20)

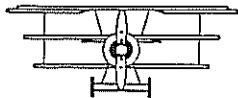
jam nut  
 AE324 (D 38999 / 24)



Conesys Prefix	Shell size	L4 max	L5 ±0,6	L6 ±0,3	L7 max
AE320	9 to 19		0,1	1,4	13,1
	21 to 25				13,9
AE324	9 to 25	11,3		0,5	

This documentation can not be reproduced or disclosed without the permission of conesys EUROPE

# AEC



Aero Electric Connector Europe  
12, avenue Clément Ader  
31770 COLOMIERS

Title

MIL C 38999 / III connectors  
with contacts for printed circuits  
modification num. : MD 003  
(Contacts mounted in the connector)

Num

D 38999/III MD 003

Rev

Page

A

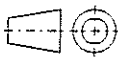
1 / 1

Drawn by

F VINET

Type

Customer use drawing



Visa

*F Vinet*

Date

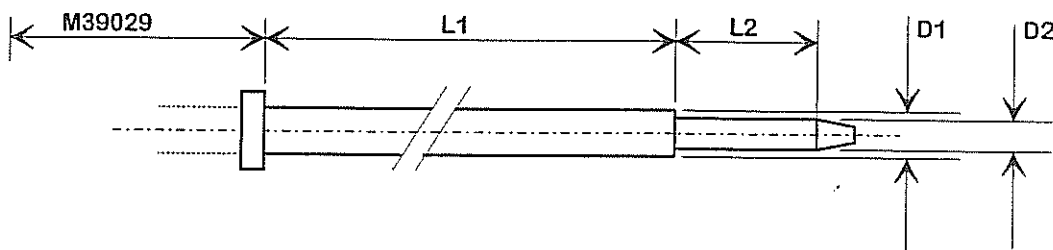
11 / 13 / 98

MIL C 38999 / III connector family

Modification : PCB contacts for printed circuits

Contact dimensions :

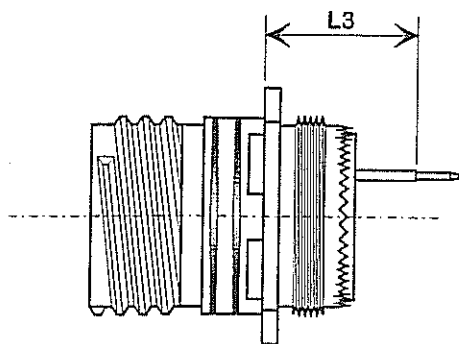
**ELIMEC**  
TEL: 03-9514122  
FAX: 03-9514166  
P.O.B. 5006 RISHON LEZION 75150  
E-mail: mail@elimec.co.il



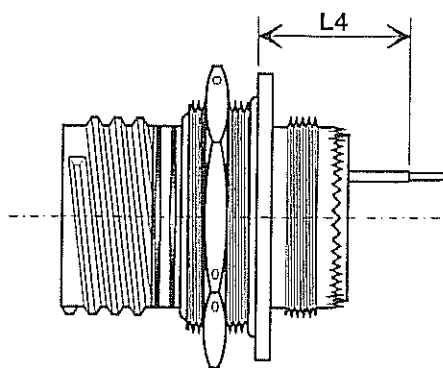
part number	size	sexe	L1 ± 0,1	L2 ± 0,1	D1 ± 0,05	D2 ± 0,1
0103-02-0122	22D	S	15,30	8,50	1,00	0,70
0103-01-0122	"	P	"	"	"	"
0103-02-0120	20	S	"	"	1,75	"
0103-01-0120	"	P	"	"	"	"
0103-02-0116	16	S	"	"	2,00	1,20
0103-01-0116	"	P	"	"	"	"

Connector dimensions :

square flange receptacle  
AE320 (D 38999 / 20)



jam nut mount  
AE324 (D 38999 / 24)



Part number	Type	Size	L3 ± 0,4	L4 ± 0,4
0103-02-0122 / 0103-01-0122	AE320	09 to 19	12,35	
0103-02-0120 / 0103-01-0120	(D38999 / 20)	21 to 25	13,15	
0103-02-0116 / 0103-01-0116	AE324	09 to 11		11,05
	(D38999 / 24)	13 to 25		10,85

Dimensions in mm... This documentation can not be reproduced or disclosed without the permission of Aero Electric Connector Europe