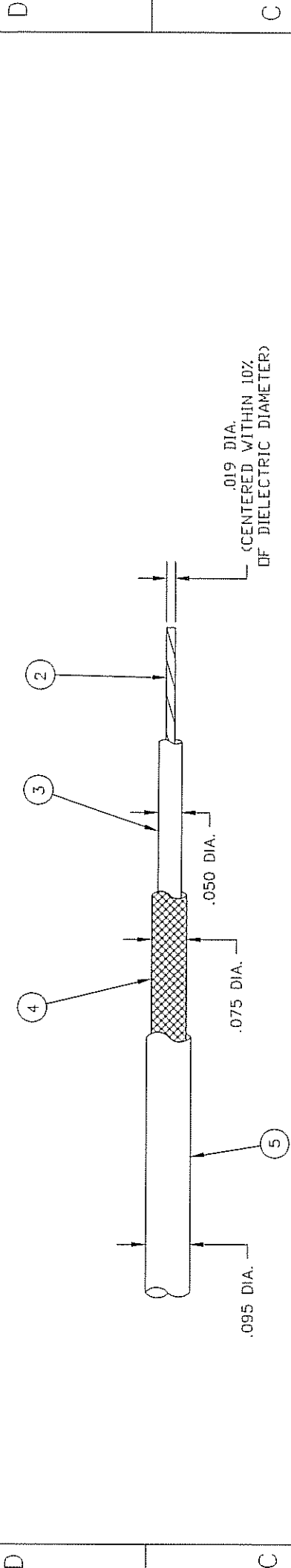


ZONE	LTR	DESCRIPTIONS	DATE	APPROVED



FLMELC
 TEL: 03-9514124
 FAX: 03-9514166
 P.O.B 5006 RISHON LEZION

- NOTES (UNLESS OTHERWISE SPECIFIED):
- OPERATING CONDITIONS:
 VOLTAGE - 18 KVDC
 MAXIMUM CURRENT - 4 AMPS
 TEMPERATURE - -55°C TO +125°C
 CAPACITANCE - 28.0 pF/FT. NOM.
 IMPEDANCE - 40 ± 5 OHMS
 INDUCTANCE - .089 NOM. µH/FT.
 - TEST CONDITIONS:
 VOLTAGE - 25.2 KVDC

NO. REC'D.	CONTRACT NO.	APPROVALS	DATE	TITLE
		DRAWN D.A.GEORGE	3-22-07	
		CHECKED		

BILL OF MATERIAL	
A/R	5 SOLID, FLUORINATED ETHYLENE PROPYLENE, COLOR - WHITE. MIN. WALL THICKNESS - .009.
A/R	4 16-6-36 SPC BRAID, 90% MIN. COVERAGE
A/R	3 SOLID, FLUORINATED ETHYLENE PROPYLENE, COLOR - CLEAR
A/R	2 25 AWG (19/38) SPC CONDUCTOR
-01	DESCRIPTION

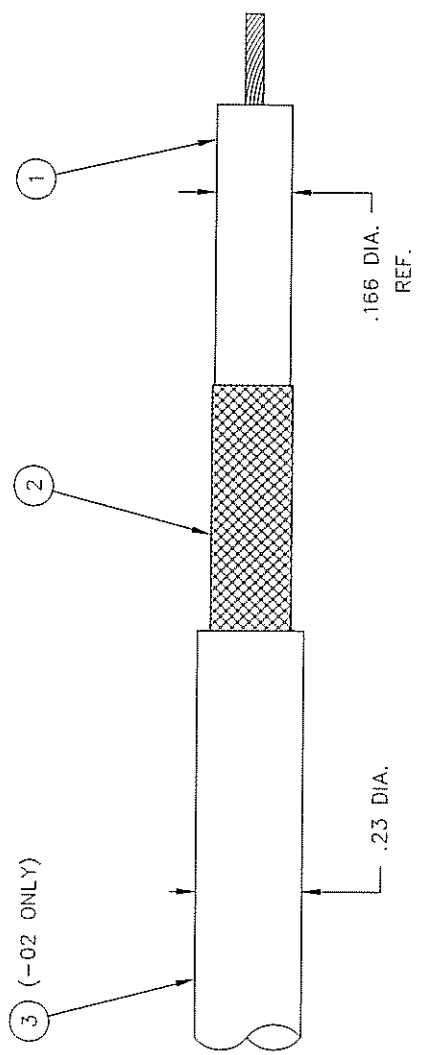
UNLESS OTHERWISE SPECIFIED DIMENSIONS ARE IN INCHES	
FRACTIONS	± .005 ± .003
DECIMALS	± .005 ± .003
ANGLES	± 1°

MATERIAL	
SEE BILL OF MATERIAL	
FINISH	
NEXT ASSY	10683
APPLICATION	USED ON

UNLESS OTHERWISE SPECIFIED ALL DIMENSIONS SHOWN ARE BEFORE PLATE DIMENSIONS	
SIZE	B ØLE36
CODE IDENT NO	066-353-01
SCALE	5X

CONTRACT NO.	
Connectronics Corp. 2745 Avondale, Toledo, Oh 43607	

PART NO.	DESCRIPTION	ZONE	LTR	DESCRIPTIONS	DATE	APPROVED
066-195-01	AS SHOWN, LESS JACKET		A	ECO 3052	11-27-01	MJM
066-195-02	AS SHOWN WITH JACKET					



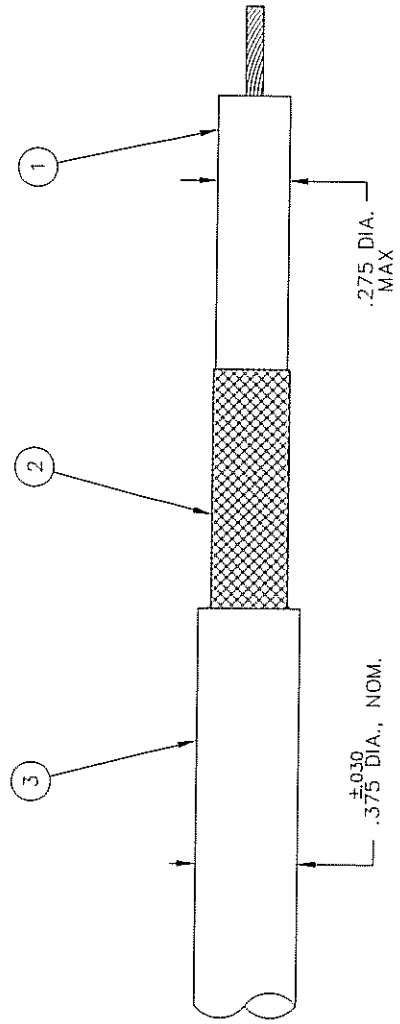
ELIMEC
 TEL: 03-9514122
 FAX: 03-9514166
 P.O.B 5006 RISHON LEZION 707

- NOTES (UNLESS OTHERWISE SPECIFIED):
- OPERATING CONDITIONS:
 VOLTAGE - 10 KVDC
 MAXIMUM CURRENT - 7.5 AMPS
 ALTITUDE - SEA LEVEL TO 70,000 FT.
 TEMPERATURE - -55°C TO +125°C
 TEST CONDITIONS:
 - DIELECTRIC WITHSTANDING VOLTAGE - 15 KVDC AT SEA LEVEL/AMBIENT CONDITIONS

UNLESS OTHERWISE SPECIFIED DIMENSIONS ARE IN INCHES		FRACTIONS		DECIMALS		ANGLES	
±		.XX ± .02		.XXX ± .010		± 1°	
MATERIAL		SEE BILL OF MATERIALS					
FINISH		10439 USED ON					
APPLICATION		DO NOT SCALE DRAWING					
NEXT ASSY							
APPLICATION							
UNLESS OTHERWISE SPECIFIED ALL DIMENSIONS SHOWN ARE BEFORE PLATE DIMENSIONS		DRAWN		DATE		TITLE	
7-28-00		REM		8-16-01		Connectronics Corp. 2745 Avondale, Toledo, Oh 43607	
CHECKED		DBP				#20 AWG COAXIAL CABLE	
SCALE NTS		B ØLE36		CODE IDENT NO		DRAWING NO.	
1 OF 1		066-195-00					

NO. REQ'D.	PART NO.	DESCRIPTION	DET. NO.
-02 -01			
A/R		025 THK. BLACK PVC JACKET	3
A/R/A/R	2166 REF.	5 ENDS OF 36 AWG, 24 CARRIERS, SPC TUBULAR BRAIDED SHIELDING, 85% MINIMUM COVERAGE	2
A/R/A/R	066-022-03	SILICONE INSULATED WIRE #20 AWG (19/32) SPC COND.	1

4	3	2	1
ZONE	LTR	DESCRIPTIONS	DATE
A	A	ECO 2450	7-28-00 REM
APPROVED			



NOTES (UNLESS OTHERWISE SPECIFIED):

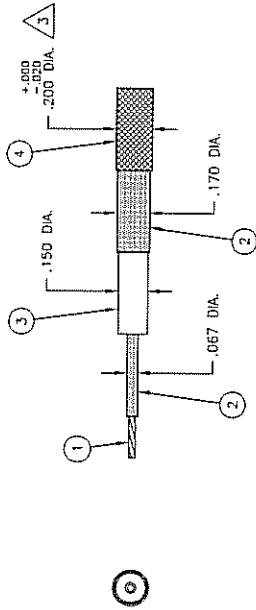
- OPERATING CONDITIONS:
 VOLTAGE - 20 KVDC
 MAXIMUM CURRENT - 28 AMPS
 ALTITUDE - SEA LEVEL TO 40,000 FT.
 TEMPERATURE - -40°C TO +85°C
 TEST CONDITIONS:
 DIELECTRIC WITHSTANDING VOLTAGE - 30 KVDC FROM CENTER CONDUCTOR TO SHIELD, WITH SHIELD AT GROUND POTENTIAL. TEST TIME 3 MINUTES AT SEA LEVEL/AMBIENT CONDITIONS.

ELIMEC
 TEL: 03-9514122
 FAX: 03-9514166
 P.O.B 5006 RISHON LEZION 7515

A/R	FIT-105 1/2"	BLK	PVC SHRINK TUBING	3
A/R	2168		7 ENDS OF 36 AWG, 24 CARRIERS, TPC TUBULAR BRAIDED SHIELDING, 85% MINIMUM COVERAGE	2
A/R	066-015-04		SILICONE INSULATED WIRE #12 AWG (65/30) TPC COND.	1
	-01		PART NO. DESCRIPTION	DET. NO.

NO. REQ'D.		BILL OF MATERIAL	
CONTRACT NO.		Connectronics Corp. 2745 Avondale; Toledo, Oh 43607	
APPROVALS	DATE	TITLE	
DRAWN D.B.POTTER	10-25-94	#12 AWG COAXIAL CABLE	
CHECKED AM	1-5-95		
UNLESS OTHERWISE SPECIFIED ALL DIMENSIONS SHOWN ARE BEFORE PLATE DIMENSIONS		SIZE	CODE IDENT NO
		B	ØLE36
DO NOT SCALE DRAWING		SCALE	2X
APPLICATION		DRAWING NO. 066-070-01	
NEXT ASSY	USED ON	SHEET 1 OF 1	

PART NO.	DESCRIPTION
066-001-04	AS SHOWN, NO OUTER SILICONE JACKET



CUSTOMER DRAWING

ZONE	LTR	DESCRIPTIONS	DATE	APPROVED
A	ECC 1058	11-26-91 DBP	11-26-91	A.M.
B	#72 (19/34) WAS #20 (19/32)	4-22-96		D.B.P.
C	ECC 1610	RDRH TO CAD 7-16-96 PJG	7-26-96	D.B.P.
D	ECC 1624	8-13-96 PJG	8-13-96	D.B.P.
E	ECC 3493	10-24-02 PJG	10-24-02	TJS
F	ECC 3624	2-10-03 MJM	2-17-03	TJS
G	ECC 3705	4-29-03 MJM	5-7-03	DBP
H	ECC 3959	11-6-03 MJM	11-6-03	DBP
J	ECC 4692	1-8-07 REH		

ELMEC
 TEL: 03-9514122
 FAX: 03-9514166
 P.O.B 5006 RISHON LEZION 7515

- NOTES:
- SEMI-CONDUCTIVE LAYERS SHALL EXHIBIT A SUPERIOR BOND TO THE PRIMARY SILICONE INSULATION.
 - DIELECTRIC STRENGTH FROM CENTER CONDUCTOR TO SHIELD: 19 KVDC.
 - NO ALLOWANCE IS PERMITTED FOR ANY FRACTION OF AN INCH OVER THIS MAXIMUM DIAMETER.

A/R	NO. REQ'D.	DESCRIPTION	PART NO.	QTY.
A/R	-	6 ENDS OF #34 AWG S.P.C. SHIELD -- 85% MIN. COVERAGE		4
A/R	-	NATURAL / WHIT. EXTRUDED SILICONE RUBBER		3
A/R	-	BLACK, SEMI-CONDUCTIVE SILICONE RUBBER		2
A/R	-	#72 AWG (19/34) SILVER PLATED ALLOY PD135 TENSILEFLEX CONDUCTOR		1
-D4	-D3	-D2	-D1	REF. 35

CONTRACT NO.		BILL OF MATERIAL	
APPROVALS		DATE	
DRAWN: D.B.POTTER	A.M.	11-26-91	
CHECKED:			
MATERIAL		SEE BILL OF MATERIAL	
FINISH		CABLE	
NEXT ASSY		USED ON	
APPLICATION		DRAWING NO. 066-001-00	
UNLESS OTHERWISE SPECIFIED ALL DIMENSIONS SHOWN ARE BEFORE PLATE DIMENSIONS		SCALE 2X	
SIZE		SHEET 2 OF 2	

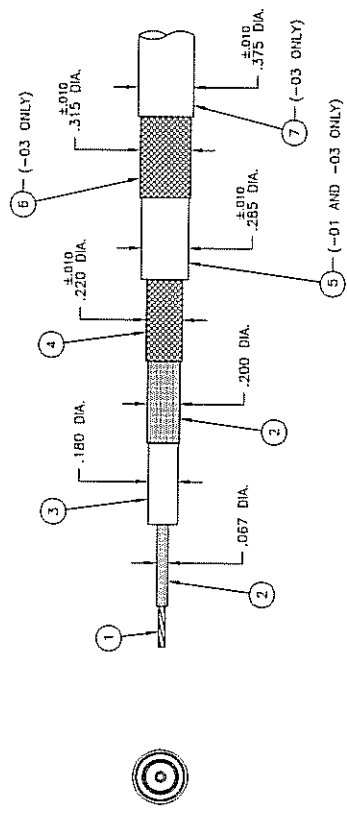
UNLESS OTHERWISE SPECIFIED DIMENSIONS ARE IN INCHES	DECIMALS	ANGLES
FRACTIONS	.XX ± .010 ± 1"	
	.XXX ± .005	

Connextronics Corp. 2745 Avenida, Torrance, CA 90507

4

PART NO.	DESCRIPTION
066-001-01	COAXIAL, AS SHOWN W/ OUTER SILICONE JACKET, .285 DIA.
066-001-02	COAXIAL, AS SHOWN W/O OUTER SILICONE JACKET, .220 DIA.
066-001-03	TRIAxIAL, AS SHOWN W/ OUTER SILICONE JACKET, .375 DIA.
066-001-04	AS SHOWN ON SHEET 2

3



2

ZONE	LTR	DESCRIPTIONS	DATE	APPROVED
A	ECC 1058	11-26-91 DBP	11-26-91	A.H.
B	#222 (19/34) WAS #20 (19/32)	4-22-96	4-22-96	D.B.P.
C	ECC 1610	RORN TO CAD 7-16-96 PJG	7-26-96	D.B.P.
D	ECC 1624	8-13-96 PJG	8-13-96	D.B.P.
E	ECC 3493	10-24-02 PJG	10-24-02	TJS
F	ECC 3624	2-10-03 MJM	2-17-03	TJS
G	ECC 3705	4-29-03 MJM	5-7-03	DBP
H	ECC 3869	11-6-03 MJM	11-6-03	DBP
J	ECC 4692	1-8-07 REH		

1

CUSTOMER DRAWING

4

- NOTES:
1. SEMI-CONDUCTIVE LAYERS SHALL EXHIBIT A SUPERIOR BOND TO THE PRIMARY SILICONE INSULATION.
 2. DIELECTRIC STRENGTH FROM CENTER CONDUCTOR TO SHIELD: 22 KVDC.
 3. THE NOMINAL VALUES FOR 066-001-02 ARE AS FOLLOWS:
CAPACITANCE = 55.3 PICOFARADS PER FOOT
INDUCTANCE = 0.12 MICROHENRYS PER FOOT
CHARACTERISTIC IMPEDANCE = 47 OHMS

ELIMEL
 TEL: 03-9514122
 FAX: 03-9514166
 P.O.B 5006 RISHON LEZON 767

NO. REQD.	NO. REC'D.	PART NO.	DESCRIPTION	REV.
-	A/R	-	EXTRUDED BLACK SILICONE RUBBER JACKET .030 THK. WALL OR SILICONE RUBBER TUBING	7
-	A/R	-	6 ENDS OF 34 AWG S.P.C. SHIELD - 85% MIN. COVERAGE	6
-	A/R	-	EXTRUDED BLACK SILICONE RUBBER JACKET .030 THK. WALL OR SILICONE RUBBER TUBING	5
A/R	A/R	A/R	6 ENDS OF 34 AWG S.P.C. SHIELD - 85% MIN. COVERAGE	4
A/R	A/R	A/R	NATURAL/ WHT. EXTRUDED SILICONE RUBBER	3
A/R	A/R	A/R	BLACK, SEMI-CONDUCTIVE SILICONE RUBBER	2
A/R	A/R	A/R	#22 AWG (19/34) SILVER PLATED ALLOY PDS TENSILEX CONDUCTOR (UNLAY CONSTRUCTION)	1
-04-03	-02	-01		REV.

BILL OF MATERIAL	
CONTRACT NO.	01
TITLE: CABLE	
APPROVALS	DATE
DRAWN D.B.POTTER	8-14-91
CHECKED A.M.	11-26-91
UNLESS OTHERWISE SPECIFIED ALL DIMENSIONS SHOWN ARE BEFORE PLATE DIMENSIONS	
SIZE	CODE IDENT NO
C	066-001-00
SCALE 2X	SHEET 1 OF 2

4

3

2

1