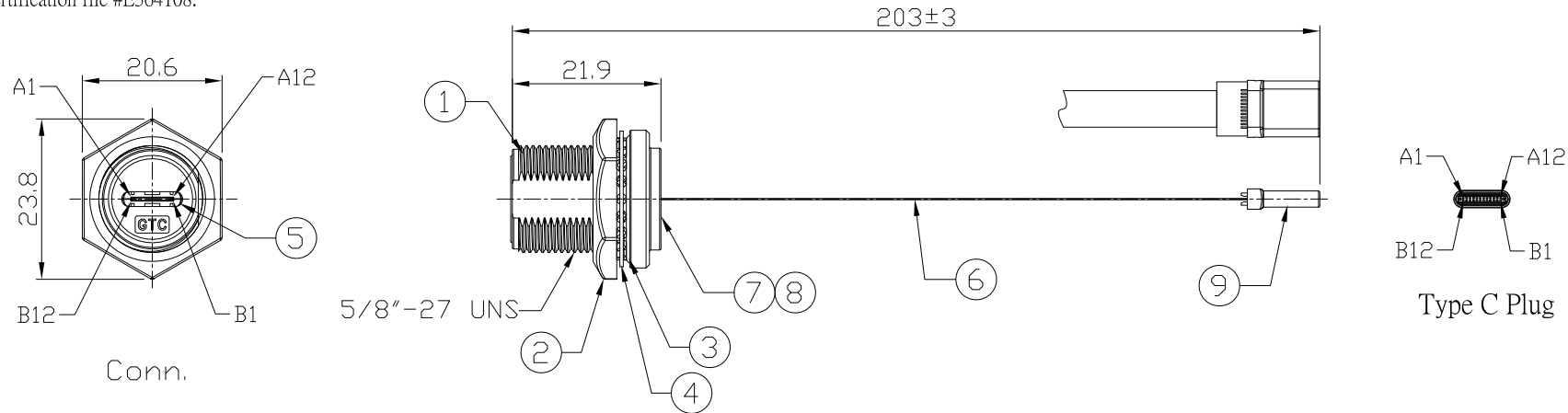


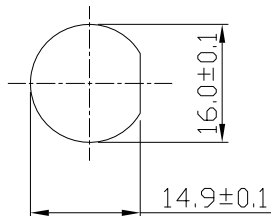
Notes: (Unless Otherwise Specified)

- 1. Waterproof Rate: IP68.
- 2. Recommend Panel Thickness: 0.8 to 6.0 mm.
- 3. Recommend Torque: 19~20 Kgf-cm.
- 4. Mating Cap P/N: GT1C5231X2/GT2C123012.
- 5. RoHS Compliant.
- 6. Type C -Pin Out Is The Same As This Drawing.
- 7. UL Certification file #E364108.

REV	ECN#	DESCRIPTION OF REVISION	DRAW BY DATE	CHECK BY DATE	APPROVE BY DATE
A0			Lucas 03/25/26	Lucas 03/25/26	Ray 03/25/26



9	USB Type C 3.1 Male	Housing: Thermoplastic, Color: Black Contacts: Copper Alloy, Finish: Au Plated Shell: Stainless Steel, Finish: Ni Plated	1
8	EMI Shielded Plate	Copper Alloy Finish: Ni Plated	1
7	Glue	Epoxy Color: Black	
6	FPC	FPC	
5	USB Type C 3.1 Female	Housing: Thermoplastic, Color: Black Contacts: Copper Alloy, Finish: Au Plated Shell: Stainless Steel, Finish: Ni Plated	1
4	Metal Washer	SUS Finish:-	1
3	O-Ring	Silicone Color: Red	1
2	Hex Nut	Zn Alloy Finish: Ni Plated	1
1	Housing	Zn Alloy Finish: Ni Plated	1
Item	Part Name	Material / Finish	Q'ty



Front View
Recommend
Panel Cut-Out

Conn.	PIN OUT	Type C Plug
A4,B4,A9,B9	—————	A4,B4,A9,B9
SHELL ,A1,B1,A12,B12	—————	SHELL ,A1,B1,A12,B12
A2	—————	A2
A3	—————	A3
A5	—————	A5
A6,B6	—————	A6,B6
A7,B7	—————	A7,B7
A8	—————	A8
A10	—————	A10
A11	—————	A11
B2	—————	B2
B3	—————	B3
B5	—————	B5
B8	—————	B8
B10	—————	B10
B11	—————	B11



GT Contact CO.,LTD

NOTICE OF PROPRIETARY PROPERTY:
 THE INFORMATION CONTAINED HEREIN IS THE PROPRIETARY PROPERTY OF GT Contact CO.,LTD THE POSSESSOR AGREES TO THE FOLLOWING:
 (A) TO MAINTAIN THIS DOCUMENT IN CONFIDENCE
 (B) NOT TO REPRODUCE OR COPY IT
 (C) NOT TO REVEAL OR PUBLISH IT IN WHOLE OR PART
 (D) ALL RIGHTS RESERVED

TITLE						DRAWING NUMBER			REV.
USB 3.1 Type C Metal C2 Panel Jack Screw With Type C Plug						GT21C300-CS-FPC-Z2			A0
	B	1:1	Lucas 03/25/26	Lucas 03/25/26	Ray 03/25/26	X.X ± 0.5 X.XX ± 0.2	X.XXX ± 0.05 ANGLES ± 1°	mm	1/1
THIRD ANGLE PROJECTION	SIZE	SCALE	DRAW / DATE	CHECK / DATE	APPROVE / DATE	TOLERANCES		UNIT	SHEET