

EPS375 Series

EPS375



⊕⊕ 조작사양 (Operating ratings)

Operating Force	2.2Kg Min.(0.23N.)
Return Force	2.2Kg Min.(0.23N.)
Pre Travel	5.85mm
Over Travel	2.5mm
Total Travel	7.8mm

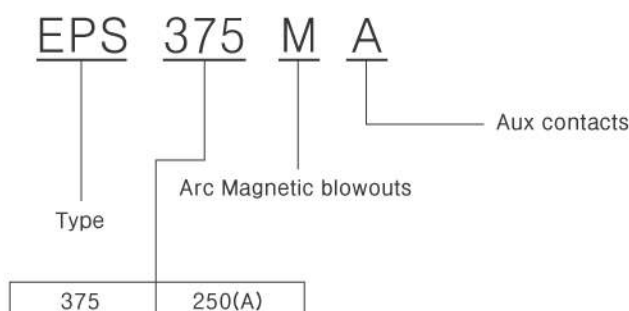
- Notes : 1. Nominal current and coil resistance are measured at +20℃.
 2. Differences of coil resistance are ±10%.
 3. Performance characteristic coil temperature is measured at 20℃.

⊕⊕ 접점정격 (Contact ratings)

(96VDC기준)

Type	1Pole Resistive load (cosφ =1)
	EPS375
Max. switching current	250A
Max. switching voltages(With blowouts type)	DC 96V
Max. switching voltages(Without blowouts type)	DC 250V
Voltage drop across contacts per 100A	40mV max.
Description	S.P On, Off

⊕⊕ 주문방법 (Ordering information)



EPS375 Series

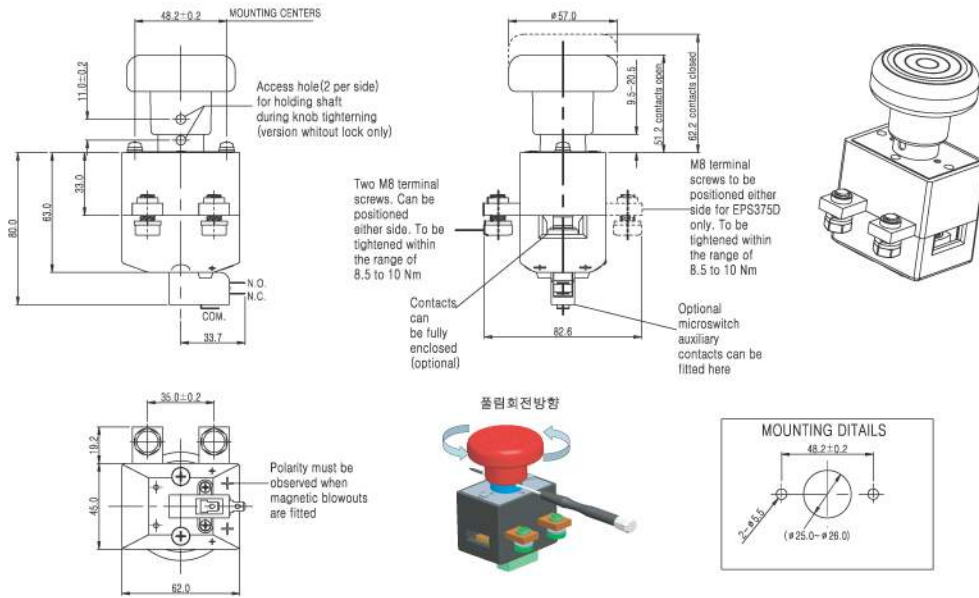


EPS375 Series

EPS375

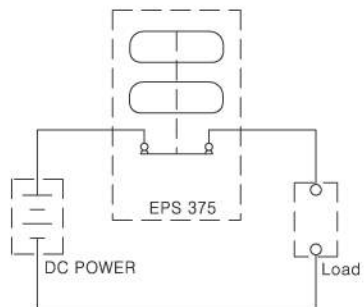
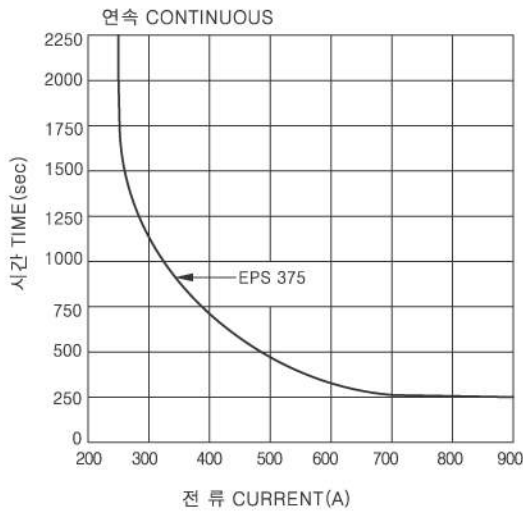


외형치수도 (Dimension in mm)



특성곡선 (Contact performance curve)

투입전류시간 특성곡선
CONTACT PERFORMANCE CURVE (Intermittent ratings)



ELECTRICAL SCHEMATIC EPS 375