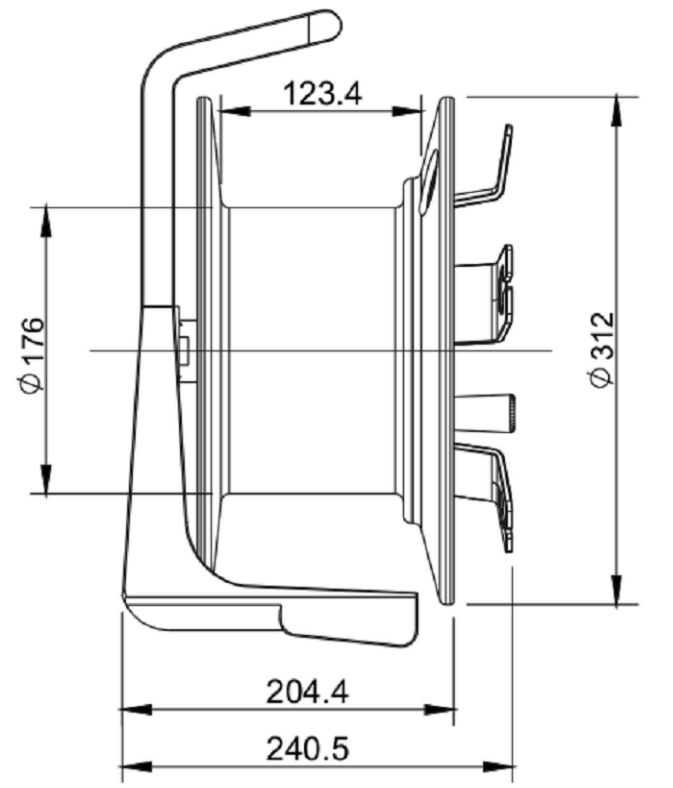
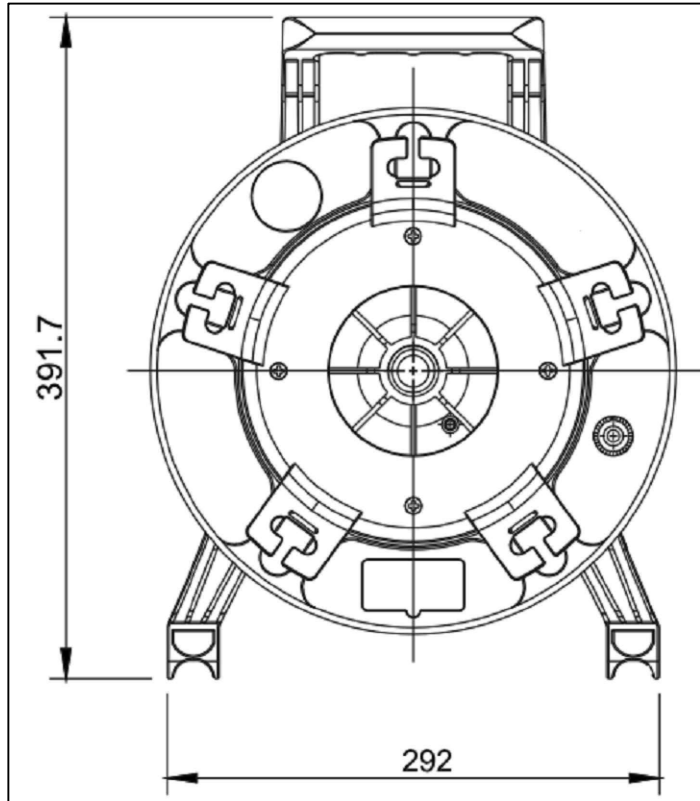


THIS DOCUMENT CONTAINS PROPRIETARY INFORMATION AND MAY NOT BE REPRODUCED COPIED, DISCLOSED OR UTILIZED WITHOUT THE WRITTEN CONSENT OF ELIMEC ELECTRO-MECHANICAL ENGINEERING (1988) LTD.

REVISIONS			APPROVED	
REV	DESCRIPTION	ECO-NO	NAME	DATE
0	FIRST RELEASE		E.M.	29/11/21



Capacity according outer diameter of cables


Diameter	Length	Diameter	Length
Ø3.0mm	628m	Ø8.0mm	88m
Ø5.0mm	226m	Ø9.0mm	70m
Ø6.0mm	157m	Ø10.0mm	57m
Ø6.5mm	134m	Ø11.0mm	47m
Ø7.0mm	115m	Ø14.0mm	29m

MATERIAL & PROPERTIES:

Frame : robust PC (Polycarbonate) with integrated handle and brake.

Drum: special PE composite materials with detachable cable feeder.

Crush resistance, resistance to fall off, not easy to deformation, oil resistance, anti-UV.

UNLESS OTHERWISE SPECIFIED: DIMENSIONS ARE IN MILLIMETERS				DEBUR AND BREAK SHARP EDGES		 ELIMEC electro-mechanical engineering		REVISION	0
DO NOT SCALE DRAWING									
NAME		SIGNATURE		DATE		TITLE:			
DRAWN		Evgeny M.		29/11/21		DRUM FOR TACTICAL CABLE			
CHK'D						Professional unbreakable , winder - Ø 310 mm			
APPV'D						DWG. NO.		999979344	
QA						SCALE		N/A	
						WEIGHT:		SHEET 1 OF 1	