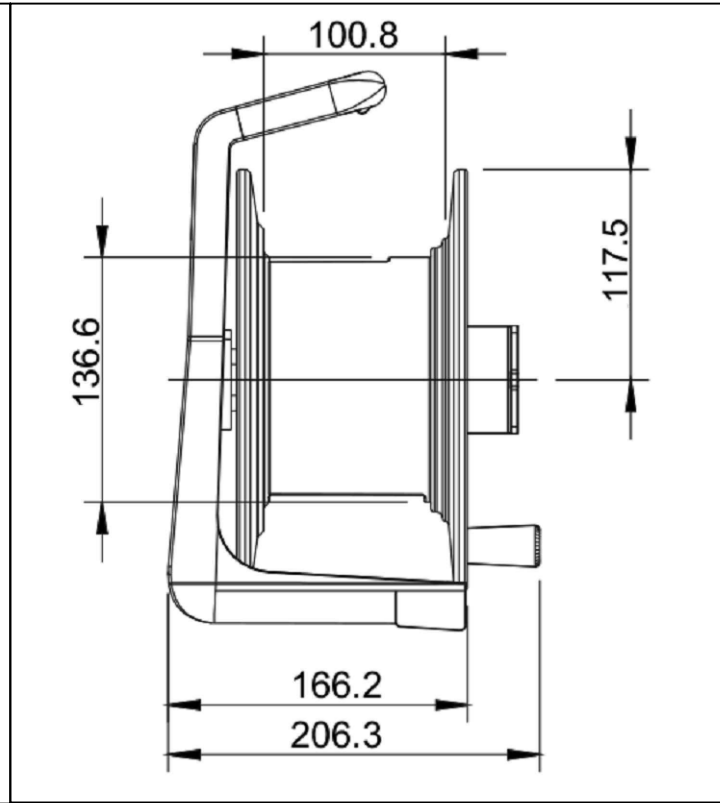
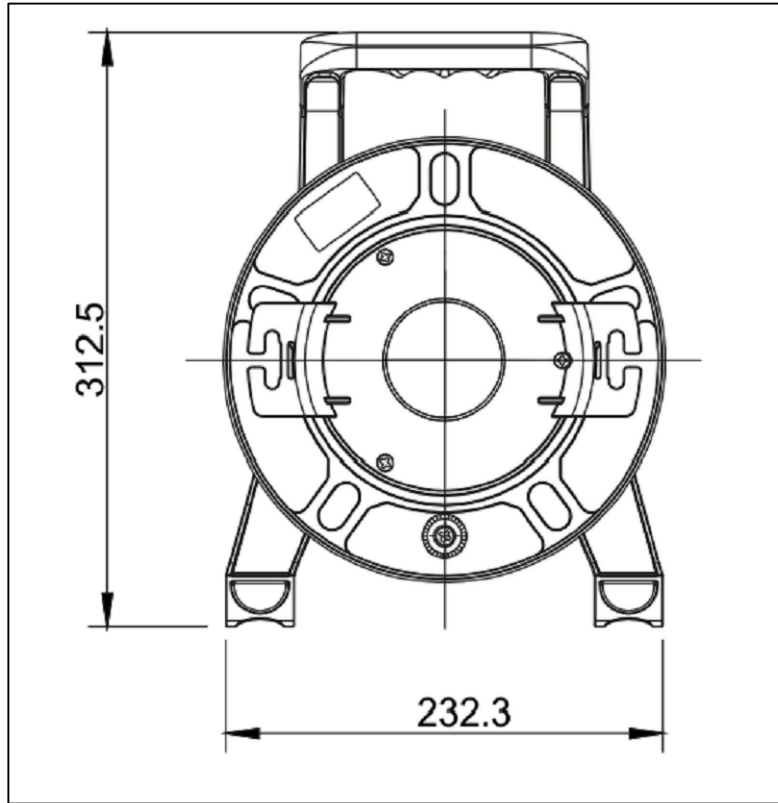


THIS DOCUMENT CONTAINS PROPRIETARY INFORMATION AND MAY NOT BE REPRODUCED COPIED, DISCLOSED OR UTILIZED WITHOUT THE WRITTEN CONSENT OF ELIMEC ELECTRO-MECHANICAL ENGINEERING (1988) LTD.

REVISIONS			APPROVED	
REV	DESCRIPTION	ECO-NO	NAME	DATE
0	FIRST RELEASE		E.M.	29/11/21



Capacity according outer diameter of cables


Diameter	Length
Ø3.0mm	269m
Ø5.0mm	97m
Ø6.0mm	67m
Ø6.5mm	57m
Ø7.0mm	49m
Ø8.0mm	38m
Ø11.0mm	20m

MATERIAL & PROPERTIES:

Frame : robust PC (Polycarbonate) with integrated handle and brake.

Drum: special PE composite materials with detachable cable feeder.

Crush resistance, resistance to fall off, not easy to deformation, oil resistance, anti-UV.

UNLESS OTHERWISE SPECIFIED: DIMENSIONS ARE IN MILLIMETERS				DEBUR AND BREAK SHARP EDGES		 ELIMEC electro-mechanical engineering	REVISION 0
DO NOT SCALE DRAWING							
	NAME	SIGNATURE	DATE			TITLE:	
DRAWN	Evgeny M.		29/11/21			DRUM FOR TACTICAL CABLE	
CHK'D						Professional unbreakable , winder - Ø 235 mm	
APPV'D							
QA							
				MATERIAL:		DWG. NO.	999979400
				WEIGHT:		SCALE: N/A	SHEET 1 OF 1