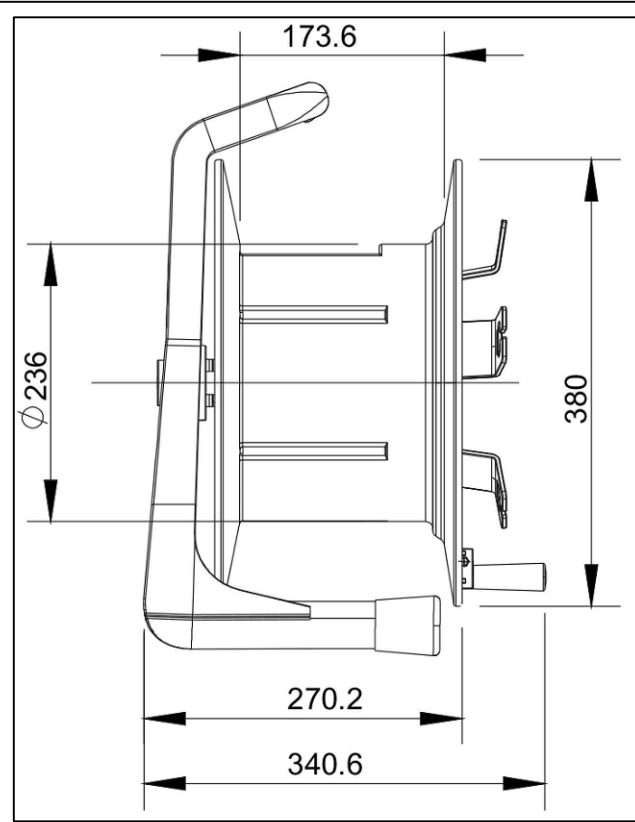
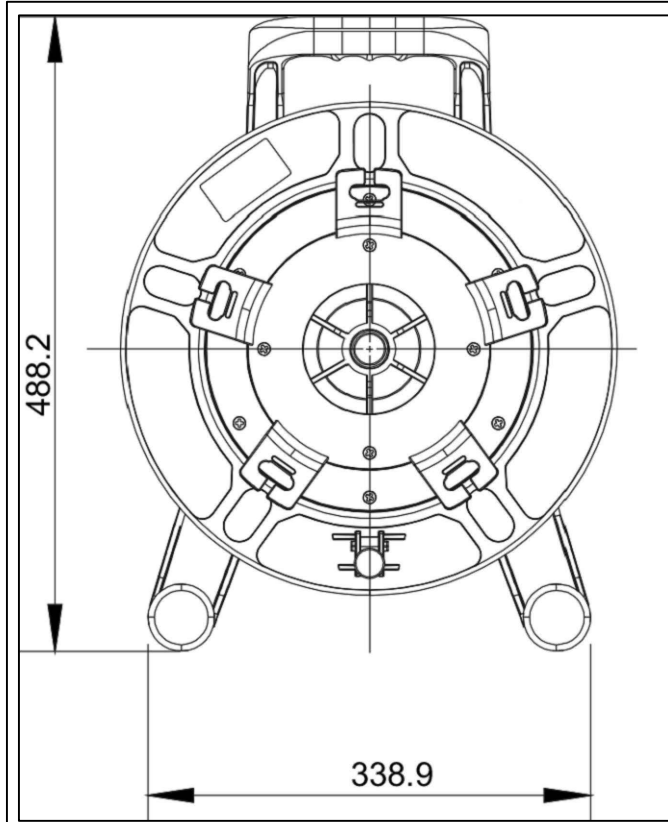


THIS DOCUMENT CONTAINS PROPRIETARY INFORMATION AND MAY NOT BE REPRODUCED COPIED, DISCLOSED OR UTILIZED WITHOUT THE WRITTEN CONSENT OF ELIMEC ELECTRO-MECHANICAL ENGINEERING (1988) LTD.

REVISIONS			APPROVED	
REV	DESCRIPTION	ECO-NO	NAME	DATE
0	FIRST RELEASE		E.M.	29/11/21



**Capacity according outer diameter of cables**


**MATERIAL & PROPERTIES:**

Frame : robust PC (Polycarbonate) with integrated handle and brake.

Drum: special PE composite materials with detachable cable feeder.

Crush resistance, resistance to fall off, not easy to deformation, oil resistance, anti-UV.

Diameter	Length	Diameter	Length
Ø6.0mm	304m	Ø11.0mm	90m
Ø7.0mm	223m	Ø14.0mm	56m
Ø8.0mm	171m	Ø15.0mm	49m
Ø9.0mm	135m	Ø16.5mm	40m
Ø10.0mm	109m	Ø18.0mm	34m

UNLESS OTHERWISE SPECIFIED: DIMENSIONS ARE IN MILLIMETERS				DEBUR AND BREAK SHARP EDGES		 <b>ELIMEC</b> electro-mechanical engineering		REVISION	0
DO NOT SCALE DRAWING									
	NAME	SIGNATURE	DATE			TITLE:			
DRAWN	Evgeny M.		29/11/21			DRUM FOR TACTICAL CABLE			
CHK'D						Professional unbreakable , winder - Ø 380 mm			
APPV'D									
QA									
				MATERIAL:		DWG. NDL		999979345	
				WEIGHT:		SCALE: N/A		SHEET 1 OF 1	