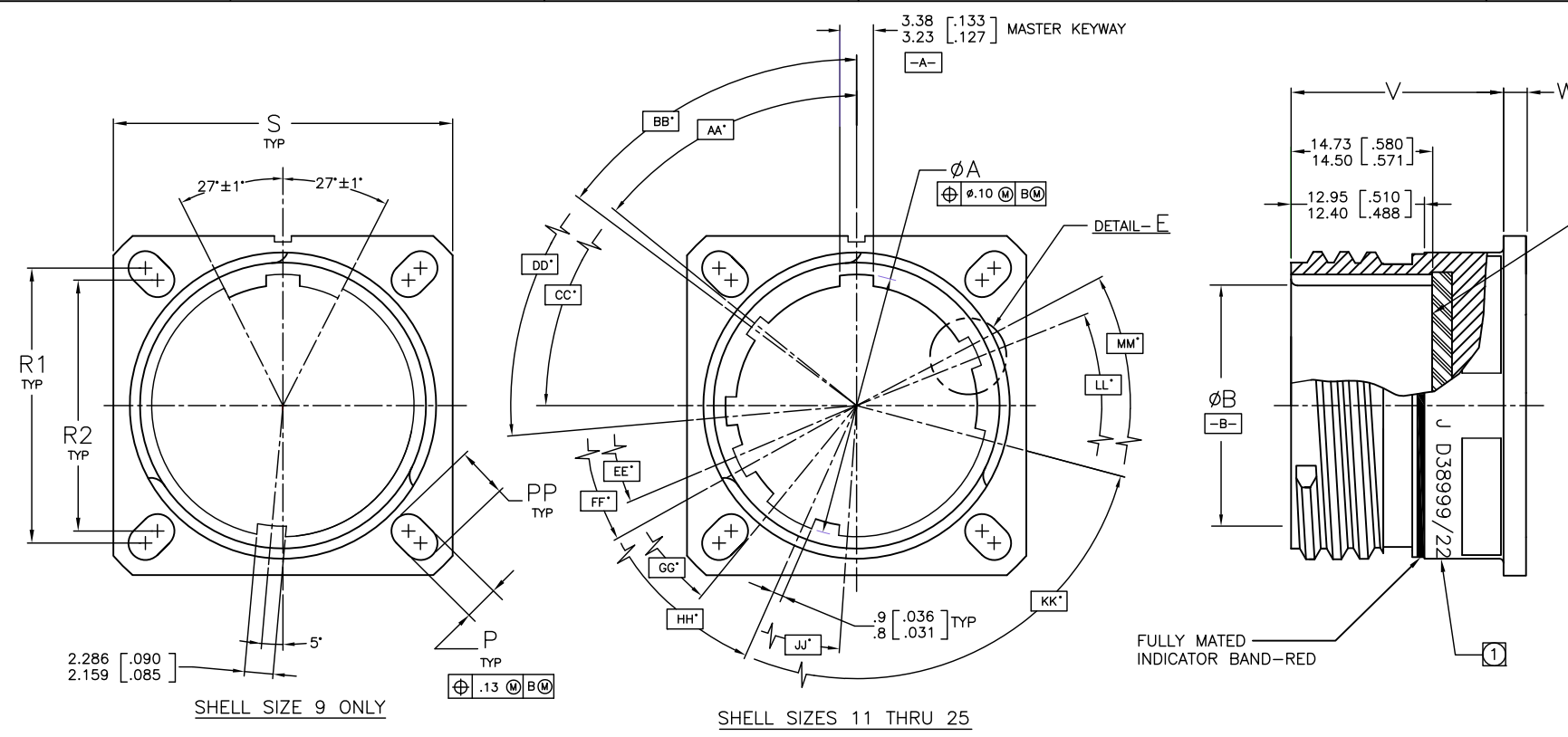


Dwg. No. D38999/22		REVISIONS	
ECO NO.	LTR	DESCRIPTION	DATE APPROVED
8687	-	NEW RELEASE	9/7/11 H.J.



SHELL SIZE	SHELL SIZE CODE	SHELL KEYING											
		AA*	BB*	CC*	DD*	EE*	FF*	GG*	HH*	JJ*	KK*	LL*	MM*
9	A	SEE DRAWING											
11	B	51	53	90	95	113	119	141	156	176	255	292	298
13	C	51	53	90	95	113	119	141	156	176	255	292	298
15	D	51	53	90	95	113	119	141	156	176	255	292	298
17	E	49	80	135	153	169	180	196	200	244	293	310	—
19	F	49	80	135	153	169	180	196	200	244	293	310	—
21	G	49	80	135	153	169	180	196	200	244	293	310	—
23	H	49	80	135	153	169	180	196	200	244	293	310	—
25	J	49	80	135	153	169	180	196	200	244	293	310	—

SHELL SIZE	SHELL SIZE CODE	øA		øB		P		PP		R1		R2		S		V		W	
		MM	INCH	MM	INCH	MM ±.20	INCH ±.008	MM ±.20	INCH ±.008	MM	INCH	MM	INCH	MM ±.3	INCH ±.012	MM ±.00	INCH ±.000	MM ±.3	INCH ±.012
9	A	12.63	.497	11.353	.447	3.25	.128	5.49	.216	18.26	.719	15.09	.594	23.8	.937	20.83	.820	2.5	.098
11	B	15.88	.625	14.66	.577	3.25	.128	4.93	.194	20.62	.812	18.26	.719	26.2	1.031	20.83	.820	2.5	.098
13	C	19.63	.773	17.50	.689	3.25	.128	4.93	.194	23.01	.906	20.62	.812	28.6	1.126	20.83	.820	2.5	.098
15	D	22.84	.899	20.65	.813	3.25	.128	4.39	.173	24.61	.969	23.01	.906	31.0	1.220	20.83	.820	2.5	.098
17	E	25.99	1.023	23.85	.939	3.25	.128	4.93	.194	26.97	1.062	24.61	.969	33.3	1.311	20.83	.820	2.5	.098
19	F	28.63	1.127	26.55	1.045	3.25	.128	4.93	.194	29.36	1.156	26.97	1.062	36.5	1.437	20.83	.820	2.5	.098
21	G	31.83	1.253	29.70	1.169	3.25	.128	4.93	.194	31.75	1.250	29.36	1.156	39.7	1.563	20.07	.790	3.2	.126
23	H	35.03	1.379	32.85	1.293	3.91	.154	6.15	.242	34.93	1.375	31.75	1.250	42.9	1.689	20.07	.790	3.2	.126
25	J	38.18	1.503	36.00	1.417	3.91	.154	6.15	.242	38.10	1.500	34.93	1.375	46.0	1.811	20.07	.790	3.2	.126

MILITARY PART NUMBER
 D38999/22XX
 CLASS
 F - ALUMINUM, ELECTROLESS NICKEL
 W - ALUMINUM, CADMIUM OLIVE DRAB
 SHELL SIZE CODE
 A THRU J
 AERO PRODUCT IDENTIFIER
 MIL-DTL-38999/22

4. ALL DIMENSIONS ARE IN MILLIMETERS. DIMENSIONS IN [] ARE IN INCHES AND ARE FOR REFERENCE ONLY.

3. MATING CONNECTOR: PLUG PER MIL-DTL-38999/26, MIL-DTL-38999/29, MIL-DTL-38999/30 AND MIL-DTL-38999/31.

2. MANUFACTURED IN ACCORDANCE WITH MIL-DTL-38999, SER. III AND MIL-DTL-38999/22 SPEC.

1. MARKING: "AERO", MILITARY PART NUMBER, MANUFACTURING DATE CODE AND AERO PART NUMBER (IF SPACE ALLOWS) SHALL BE MARKED IN APPROXIMATE LOCATION SHOWN.

NOTES: UNLESS OTHERWISE SPECIFIED

MATERIAL:
 RECEPTACLE MACHINED ALUMINUM ALLOY
 SEALING GASKET SILICONE ELASTOMER

ITEM NO.	QTY REQD	CAGE NO.	PART OR IDENTIFYING NO.	NOMENCLATURE OR DESCRIPTION	MATERIAL OR FINISH	ZONE
PARTS LIST						
UNLESS OTHERWISE SPECIFIED: DIMENSIONS ARE IN INCHES TOLERANCES ON DECIMALS ANGULAR X .1 .21 FRACTIONS .002 & .005 & 1/32 DO NOT SCALE DRAWING			CONTRACT NO.		Aero Electric Connector Inc. 2280 208th Street Torrance, CA 90501	
NEXT ASSY			USED ON	DRAWN ASHCHUR	DATE 9/2/11	TITLE CUSTOMER USE DRAWING RECEPTACLE, DUMMY STOWAGE, THREADED REF.: MIL-DTL-38999, SER.III; MIL-DTL-38999/22
APPLICATION			FINISH	CHECKED	APPROVED H.JAMSHIDIAN 9/7/11	
TREATMENT			CAD FILENAME: ENG\DRAWINGS\CUD\D38999-22-	SIZE D 59976	CAGE NO. D38999/22	DWG. NO. D38999/22
THIS DRAWING AND THE DATA DISCLOSED HEREIN OR HEREIN IS CONFIDENTIAL AND PROPRIETARY AND IS NOT TO BE REPRODUCED, USED, OR DISCLOSED IN WHOLE OR IN PART TO ANYONE OTHER THAN THE ORIGINAL INTENTED RECIPIENT OF AERO ELECTRIC CONNECTOR SYSTEMS INC.					SCALE NONE	SHEET 1 OF 1