

ECO NO.		LTR	DESCRIPTION	DATE	APPROVED
10475	E	SEE ECO		6/30/15	H.J.

**AERO ELECTRIC PART NUMBER**  
 AE332 X-XX X X

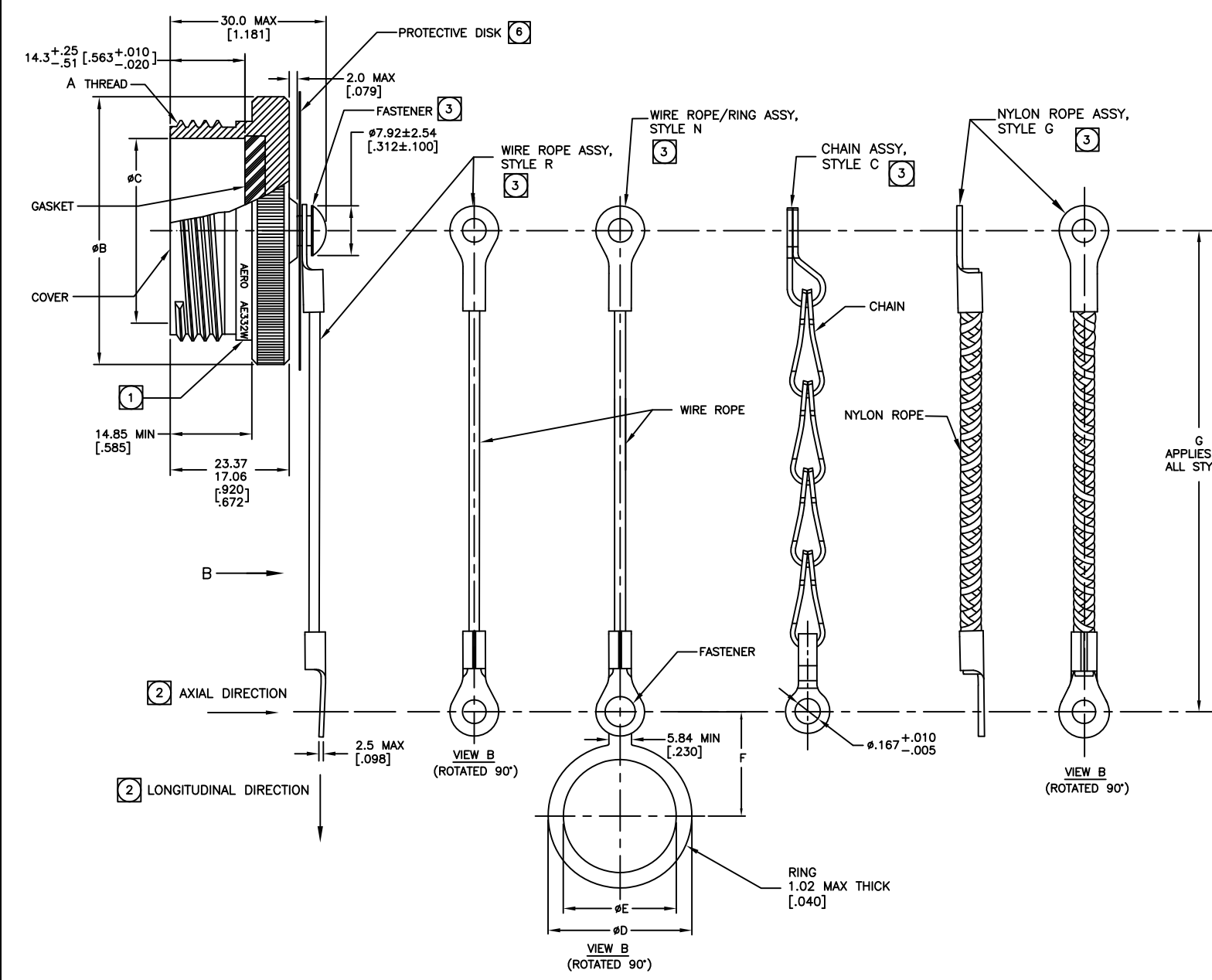
**CHAIN/ROPE LENGTH**  
 BLANK - FOR STANDARD LENGTH "G"  
 1 = 1"  
 2 = 2"  
 3 = 3"  
 4 = 4"  
 6 = 6"  
 7 = 7"  
 ANY OTHER LENGTH IN INCHES (TO BE ASSIGNED BY REQUEST)

**STYLE**  
 A - NO ATTACHMENT [4]  
 C - CHAIN ASSEMBLY  
 R - WIRE ROPE ASSEMBLY  
 N - WIRE ROPE/RING ASSEMBLY  
 G - NYLON ROPE ASSEMBLY

**SHELL SIZE**  
 9 THRU 25 (NOTE: SINGLE DIGIT FOR SHELL SIZE 9)

**CONNECTOR CLASS**  
 W - ALUMINUM, CADMIUM OLIVE DRAB  
 F - ALUMINUM, ELECTROLESS NICKEL PLATE  
 K - STAINLESS STEEL, PASSIVATED  
 S - STAINLESS STEEL, ELECTRODEPOSITED NICKEL PLATE  
 BN - ALUMINUM, BLACK NICKEL PLATE, 500 HRS CORROSION RESISTANCE, -55°C TO +200°C  
 BZ - BRONZE, 500 HRS CORROSION RESISTANCE, -55°C TO +200°C

**AERO PRODUCT IDENTIFIER**



SHELL SIZE	A THREAD CLASS 2A TRIPLE START	øB MAX		øC		øD MAX		øE MIN		F		G	
		INCH	MM	INCH +0.00 -0.06	MM +0.00 -0.15	INCH	MM	INCH	MM	INCH	MM	INCH +0.512 -0.276	MM +13.0 -7.0
9	.6250-0.1P-0.3L	.906	23.0	.492	12.50	.945	24.0	.512	13.0	.945	24.00	5.000	127.00
11	.7500-0.1P-0.3L	1.024	26.0	.620	15.75	1.063	27.0	.709	18.0	.807	20.50	5.000	127.00
13	.8750-0.1P-0.3L	1.221	31.0	.769	19.53	1.181	30.0	.787	20.0	1.063	27.00	5.000	127.00
15	1.0000-0.1P-0.3L	1.299	33.0	.894	22.71	1.221	31.0	.906	23.0	.886	22.50	5.000	127.00
17	1.1875-0.1P-0.3L	1.457	37.0	1.019	25.88	1.457	37.0	1.024	26.0	1.201	30.50	5.000	127.00
19	1.2500-0.1P-0.3L	1.575	40.0	1.124	28.55	1.575	40.0	1.142	29.0	1.240	31.50	5.000	127.00
21	1.3750-0.1P-0.3L	1.732	44.0	1.249	31.72	1.732	44.0	1.260	32.0	1.299	33.00	5.000	127.00
23	1.5000-0.1P-0.3L	1.811	46.0	1.374	34.90	1.811	46.0	1.339	34.0	1.339	34.00	5.000	127.00
25	1.6250-0.1P-0.3L	1.969	50.0	1.499	38.07	1.929	49.0	1.535	39.0	1.496	38.00	5.000	127.00

[6] PROTECTIVE DISK APPLIES TO CONNECTOR CLASS W, STYLE C (CHAIN ASSY) ONLY.

5. ALL DIMENSIONS ARE IN MILLIMETERS. DIMENSIONS IN [ ] ARE IN INCHES FOR REFERENCE.

[4] STYLE "A" COVER IS DESIGNED LESS OPENING FOR FASTENER/ATTACHMENT.

[3] WIRE/NYLON ROPE, WIRE ROPE/RING AND CHAIN ASSEMBLIES SHALL ROTATE FREELY ON FASTENER.

[2] PULL TEST REQUIREMENTS: COVER AND WIRE/NYLON ROPE/RING/CHAIN ASSEMBLY SHALL WITHSTAND A DEAD WEIGHT TENSILE LOAD OF 25 LBS APPLIED TO THE END OF THE ROPE/RING/CHAIN ASSEMBLY TO BOTH, AXIAL AND LONGITUDINAL DIRECTIONS, AND, HELD FOR 5 MINUTES IN EACH DIRECTION. THERE SHALL BE NO SEPARATION OF THE WIRE/NYLON ROPE/CHAIN ASSEMBLY FROM THE COVER, OR, DAMAGE TO THE WIRE/NYLON ROPE/CHAIN ASSEMBLY.

[1] MARKING: "AERO", AERO PART NUMBER, AND MANUFACTURING DATE CODE TO BE MARKED IN APPROXIMATE LOCATION SHOWN.

NOTES: UNLESS OTHERWISE SPECIFIED

**MATERIAL:**

COVER, PLUG	.....	MACHINED ALUMINUM ALLOY
	.....	STAINLESS STEEL
	.....	BRONZE
GASKET	.....	SILICONE ELASTOMER
FASTENERS	.....	STAINLESS STEEL
RING	.....	STAINLESS STEEL
EYELET FITTINGS/CLEVISSES	.....	STAINLESS STEEL
WIRE ROPE	.....	INSULATED STAINLESS STEEL
NYLON ROPE	.....	NYLON, DIAMOND BRAID
CHAIN	.....	STAINLESS STEEL
PROTECTIVE DISK	.....	POLYETHYLENE

ITEM NO.	QTY REQD	CAGE NO.	PART OR IDENTIFYING NO.	NOMENCLATURE OR DESCRIPTION	MATERIAL OR FINISH	ZONE
UNLESS OTHERWISE SPECIFIED: DIMENSIONS ARE IN INCHES TOLERANCES ON: DECIMALS ANGULAR X ± .1 0° 30' .005 ± .01 FRACTIONS .001 ± .005 ± 1/32 DO NOT SCALE DRAWING						
CONTRACT NO.				PARTS LIST		
DRAWN A.SHCHUR		DATE 10/28/10		conGsys™ Aero Electric Connector Inc. 2280 208th Street Torrance, CA 90501		
CHECK S.STRASER		DATE 11/05/10		TITLE CUSTOMER USE DRAWING		
APPROVED H.JAMSHIDIAN		DATE 11/05/10		COVER, PROTECTIVE, PLUG MATES WITH 38999, SER.III PLUGS		
CAD FILENAME: ENG\DRAWINGS\CUD\AE332.E				SIZE D	CAGE NO. 59976	DWG. NO. AE332
APPLICATION				SCALE NONE	SHEET 1 of 1	
THIS DRAWING AND THE DATA DISCLOSED HEREIN OR HEREIN IS CONFIDENTIAL AND PROPRIETARY AND IS NOT TO BE REPRODUCED, USED, OR DISCLOSED IN WHOLE OR IN PART TO ANYONE WITHOUT THE EXPRESS WRITTEN PERMISSION OF AERO ELECTRIC CONNECTOR SYSTEMS INC.						

DWG. NO. AE332 REVISION E