

EXAMPLE PART NUMBER

901-87940161010655

BASIC PART NUMBER

CONNECTOR CODE NUMBER
MIL-C-38999 SERIES III/IV

PLATING CODE NUMBER
CODE 55 - CADMIUM PER QQ-P-416, TYPE II, CL 3
OVER ELECTROLESS NICKEL PER
MIL-C-26074 CLASS 3 OR 4, GRADE B.
CODE 56 - ELECTROLESS NICKEL PER MIL-C-26074,
CL 3 OR 4 WITH IRIDITE CONVERSION
FOR ADDITIONAL FINISH OPTIONS, SEE CATALOG TABLE 4.

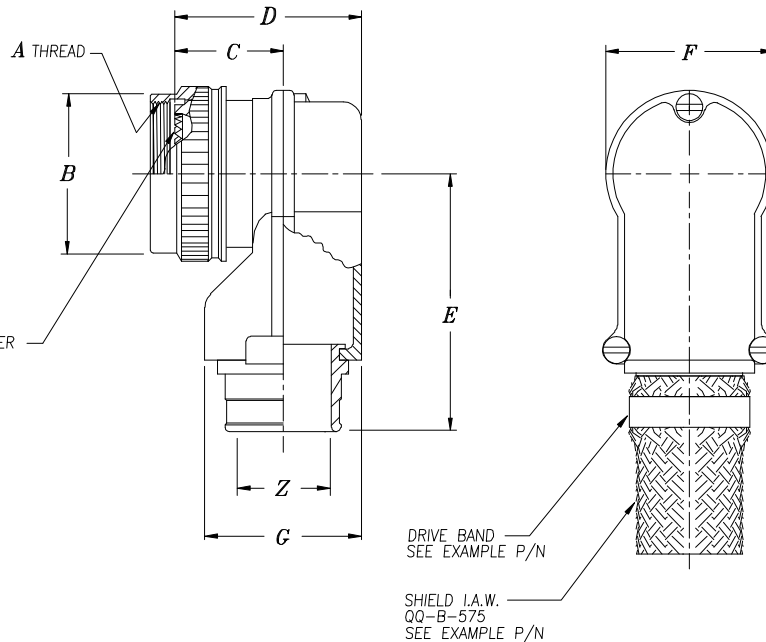
SHIELD LENGTH CODE
SHIELD LENGTHS ARE CHOSEN IN 1.00 INCH
INCREMENTS (ie .08=8.00"). MINIMUM ORDER
LENGTH IS 3.00" CODE 03 (00 FOR NO SHIELD)

SHIELD OPTION
1 - SINGLE LAYER TINNED COPPER
2 - DOUBLE LAYER TINNED COPPER
3 - SINGLE LAYER SILVER COATED COPPER
4 - DOUBLE LAYER SILVER COATED COPPER
5 - ASSEMBLY SUPPLIED WITH DRIVE BAND LESS SHIELD
0 - NO SHIELD OR DRIVE BAND REQUIRED

PART NUMBER			
901-87940			
REVISIONS			
LTR	ECO NUMBER	DRAWN	APPROVED

CONN. ORDER NO.	SHELL SIZE		METRIC THREAD CLASS 6H	B MAX.	C REF.	D MAX.	E MAX.	F MAX.	G REF.	MAX. ENTRY SIZE
	COM'L	MIL.								
0 8	9	A	M12 x 1.0	.625	.344	.704	1.429	.875	.666	0 4
1 0	11	B	M15 x 1.0	.750	.312	.755	1.689	.875	.825	0 6
1 2	13	C	M18 x 1.0	.875	.400	.893	1.879	1.015	.925	0 8
1 4	15	D	M22 x 1.0	1.000	.423	.981	1.979	1.156	1.055	1 0
1 6	17	E	M25 x 1.0	1.125	.663	1.230	2.079	1.375	1.055	1 2
1 8	19	F	M28 x 1.0	1.219	.636	1.202	2.079	1.375	1.055	1 2
2 0	21	G	M31 x 1.0	1.344	.570	1.223	2.079	1.500	1.245	1 4
2 2	23	H	M34 x 1.0	1.469	.535	1.181	2.079	1.500	1.245	1 4
2 4	25	J	M37 x 1.0	1.594	.535	1.181	2.079	1.500	1.245	1 4

ENTRY ORDER NO.	φ Z ±.031
0 3	.188
0 4	.250
0 5	.312
0 6	.375
0 7	.438
0 8	.500
0 9	.562
1 0	.625
1 1	.688
1 2	.750
1 3	.812
1 4	.875



CONNECTOR/ADAPTER INTERFACE PER
MIL-C-38999 SERIES I/II

NOTES: UNLESS OTHERWISE SPECIFIED

- ASSEMBLY IDENT. PER MIL-STD-130.
- MATERIAL: ADAPTER COMPONENTS - ALUMINUM ALLOY
HARDWARE - SST
SHIELD - SEE EXAMPLE PART NUMBER
DRIVE BAND - ALUMINUM ALLOY & ANODIZE PER
MIL-A-8625, TYPE II, CLASS 2 (OR CHEM. FILM, MFD. OPTION)

The information disclosed herein is the property of, and a proprietary item originated by ELECTRO ADAPTER, INC., who reserves all patent, proprietary design, use, sale, manufacturing and reproduction rights thereto; except for uses expressly granted to the United States Government and items which are vendor parts, disclosure shall not be made without written consent from ELECTRO ADAPTER, INC.

UNLESS OTHERWISE SPECIFIED DIMENSIONS ARE IN INCHES
TOLERANCES: ANGLES DECIMALS
± 2° .XX = ± .06
 .XXX = ± .031
DO NOT SCALE DRAWING

DRAWN A.T.PENA	DATE 2/22/01
CHKD G.FISH	DATE 3/7/01
APVD	DATE
3/7/01	
RELEASED	DATE

	ELECTRO ADAPTER, INC. CHATSWORTH, CA. 91311-6189		
	DRAWING TITLE ADAPTER, EMI/RFI 90° LOW-PROFILE SPLIT, SHIELD SOCK FOR MIL-C-38999 SERIES III/IV CONNECTORS		
SIZE A	CAGE CODE 31461	DRAWING NUMBER 901-87940	REV.
SCALE: NONE	O:\SALES\901\87940		SHEET 1 OF 1