

EXAMPLE PART NUMBER

901-87940161010655

BASIC PART NUMBER

CONNECTOR CODE NUMBER
MIL-C-38999 SERIES III/IV

PART NUMBER

901-87940

REVISIONS

LTR ECO NUMBER DRAWN APPROVED

CONNECTOR INTERFACE DATA

CONN. ORDER NO.	SHELL SIZE COM'L	A		B		C		D		E		F		G		
		METRIC THREAD CLASS	HT	MAX.	REF.	MAX.	REF.	MAX.	REF.	MAX.	REF.	MAX.	REF.	MAX.	REF.	MAX. ENTRY SIZE
0 B	9	A	M12 x 1.0	.625	.344	.704	.755	.400	.893	1.879	1.015	.925	0.8			
1 0	11	B	M15 x 1.0	.750	.312	.755	1.689	.875	.825	0.6						
1 2	13	C	M18 x 1.0	.875	.400	.893	1.879	1.015	.925	0.8						
1 4	15	D	M22 x 1.0	1.000	.423	.981	1.979	1.156	1.055	1.0						
1 6	17	E	M25 x 1.0	1.125	.663	1.230	2.079	1.375	1.055	1.2						
1 8	19	F	M28 x 1.0	1.219	.636	1.202	2.079	1.375	1.055	1.2						
2 0	21	G	M31 x 1.0	1.344	.570	1.223	2.079	1.500	1.245	1.4						
2 2	23	H	M34 x 1.0	1.469	.535	1.181	2.079	1.500	1.245	1.4						
2 4	25	J	M37 x 1.0	1.594	.535	1.181	2.079	1.500	1.245	1.4						

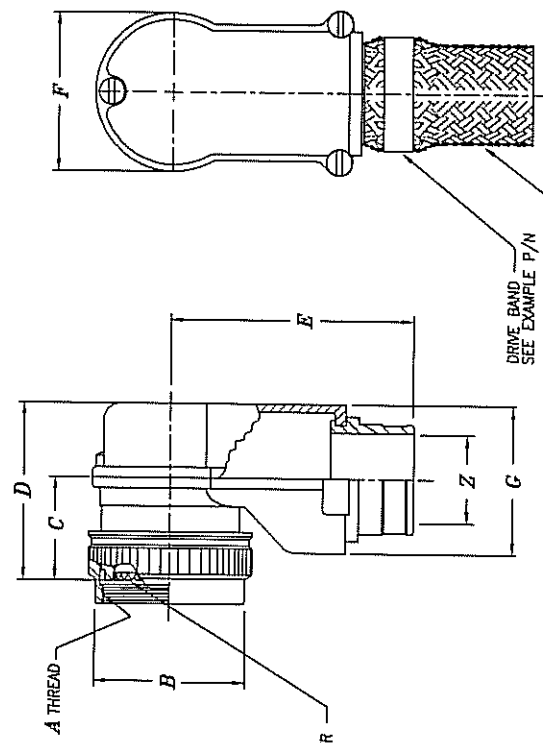
PLATING CODE NUMBER
CODE 55 - CADMIUM PER QQ-P-416, TYPE II, CL. 3
OVER ELECTROLESS NICKEL PER
MIL-C-26074 CLASS 3 OR 4, GRADE B.
CODE 56 - ELECTROLESS NICKEL PER MIL-C-26074,
CL. 3 OR 4 WITH IRIDITE CONVERSION
FOR ADDITIONAL FINISH OPTIONS, SEE CATALOG TABLE 4.

SHIELD LENGTH CODE
SHIELD LENGTHS ARE CHOSEN IN 1.00 INCH
INCREMENTS (e.g. 08=8.00") MINIMUM ORDER
LENGTH IS 3.00" CODE 03 (00 FOR NO SHIELD)

SHIELD OPTION
1 - SINGLE LAYER TINNED COPPER
2 - DOUBLE LAYER TINNED COPPER
3 - SINGLE LAYER SILVER COATED COPPER
4 - DOUBLE LAYER SILVER COATED COPPER
5 - ASSEMBLY SUPPLIED WITH DRIVE BAND LESS SHIELD
0 - NO SHIELD OR DRIVE BAND REQUIRED

ENTRY DATA

ENTRY ORDER NO.	Ø Z
0 3	.188
0 4	.250
0 5	.312
0 6	.375
0 7	.438
0 8	.500
0 9	.562
1 0	.625
1 1	.688
1 2	.750
1 3	.812
1 4	.875



CONNECTOR/ADAPTER INTERFACE PER
MIL-C-38999 SERIES I/II

ELIMEC
TEL: 03-9514122
FAX: 03-9514166
P.O.B. 5006 RISHON LEZION 75150
E-mail: mail@elimec.co.il

NOTES: UNLESS OTHERWISE SPECIFIED

- ASSEMBLY IDENT. PER MIL-STD-130.
- MATERIAL: ADAPTER COMPONENTS - ALUMINUM ALLOY
HARDWARE - SST
SHIELD - SEE EXAMPLE PART NUMBER
DRIVE BAND - ALUMINUM ALLOY & ANODIZE PER
MIL-A-8625, TYPE II, CLASS 2 (OR CHEM. FILM, MFD. OPTION)

<p>ELECTRO ADAPTER, INC. CHATSWORTH, CA. 91311-6189</p>		DATE	2/22/01
DRAWN	A.T.PENA	DATE	3/7/01
CHKD	G.FISH	DATE	
APVD		DATE	
<p>DRIVING TITLE ADAPTER, EM/RFI 90° LOW-PROFILE SPLIT, SHIELD SOCK FOR MIL-C-38999 SERIES III/IV CONNECTORS</p>		SIZE	901-87940
		CAGE CODE	A 31461
		SCALE: HOME	1 OF 1
		RELEASED	DATE
		REV.	

The information disclosed herein is the property of Electro Adapter, Inc. and is not to be used for any other purpose without the written consent of Electro Adapter, Inc. who reserves all patent, proprietary design, copyright, manufacturing and reproduction rights thereto; except for uses expressly granted to the United States Government and items which are vendor parts, disclosure shall not be made without written consent from ELECTRO ADAPTER, INC.

UNLESS OTHERWISE SPECIFIED DIMENSIONS ARE IN INCHES

TOLERANCES: ANGLES DECIMALS
± .2 ± .06
± .1 ± .031

DO NOT SCALE DRAWING