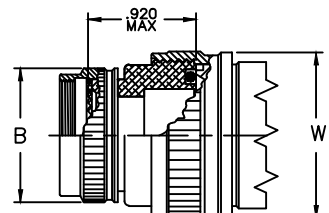
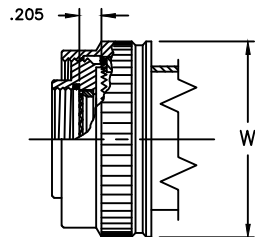
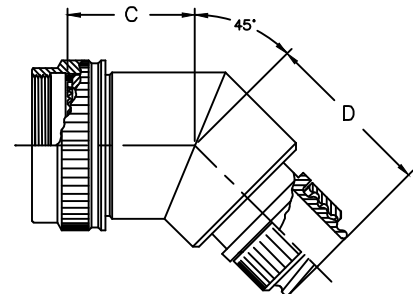
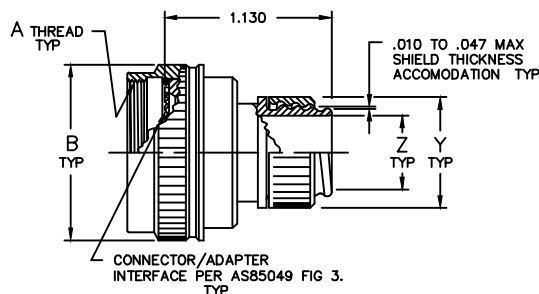
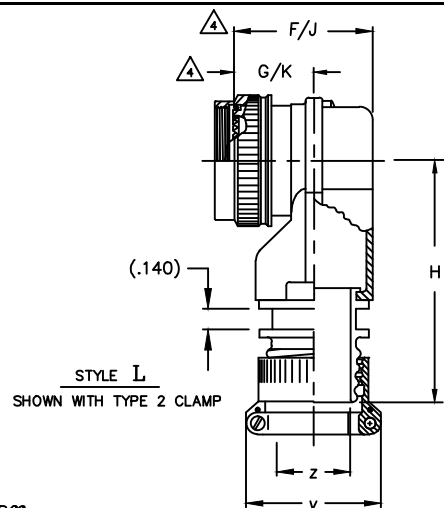
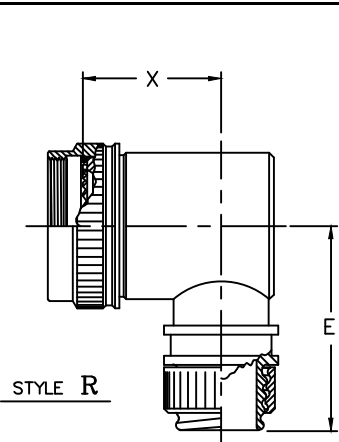


PART NO.			
4840			
REVISIONS			
LTR	ECO NO.	DRAWN	APPR.
F	21524	SJDC 01/20/09	GF 01/21/09
G	21633	SJDC 12/02/09	GF 12/03/09



Example Part Number
4840R22141-55S

ADAPTER SERIES
STRAIGHT, 45° & 90° SHRINK
BOOT, SHIELD TERMINATING

CONNECTOR CODE
MIL-DTL-38999, SER III & IV
CLASS C, F, K & W
MIL38999/20,/24,/26,
/40,/44,/46 & /47

ADAPTER STYLE
S = STRAIGHT ADAPTER
A = 45° ADAPTER
R = 90° ADAPTER
L = LO PRO SPLIT 90°

ADAPTER STYLE
1 = NUT
2 = CLAMP

ADD "S" FOR SELF LOCKING COUPLING. OMIT IF NOT REQUIRED

PLATING CODE NUMBER
03 = CADMIUM, OLIVE DRAB, PER SAE AMS-QQ-P-416, CLASS 3
55 = CADMIUM, OLIVE DRAB, PER SAE AMS-QQ-P-416, CLASS 3,
OVER ELECTROLESS NICKEL PER AMS-C-26074, GRADE B
56 = ALUMINUM, ELECTROLESS NICKEL PER AMS-C-26074, CLASS 3
OR 4, GRADE A.
FOR ADDITIONAL FINISH OPTION, SEE CATALOG TABLE 4

FOR STYLE L ³
CONFIG FOR 2 PIECE

CONFIG FOR 2 PIECE ³

CONNECTOR ORDER NUMBER														
ORDER NUMBER	SHELL SIZE		A	ØB	C	D	E	F	G	J ⁴	K ⁴	H	MAX. ENTRY SIZE ³	MAX. ENTRY STYLE L
	COM'L	MIL												
0 8	9	A	M12 X 1.0	.719	.528	1.055	1.125	.704	.344	.968	.715	1.595	04	06
1 0	11	B	M15 X 1.0	.844	.591	1.081	1.188	.755	.300	1.019	.715	1.855	06	06
1 2	13	C	M18 X 1.0	.969	.653	1.106	1.250	.761	.300	1.127	.740	2.045	08	08
1 4	15	D	M22 X 1.0	1.094	.716	1.132	1.312	.861	.310	1.245	.763	2.145	10	08
1 6	17	E	M25 X 1.0	1.219	.809	1.158	1.375	.991	.450	1.485	1.003	2.245	12	08
1 8	19	F	M28 X 1.0	1.344	.997	1.184	1.438	1.202	.636	1.466	.975	2.245	14	10
2 0	21	G	M31 X 1.0	1.469	.997	1.223	1.500	1.211	.570	1.540	.900	2.245	14	14
2 2	23	H	M34 X 1.0	1.594	1.091	1.249	1.562	1.181	.535	1.445	.878	2.245	16	14
2 4	25	J	M37 X 1.0	1.719	1.091	1.262	1.625	1.181	.535	1.535	.878	2.245	20	14

CABLE ENTRY ORDER NUMBER					
ORDER NUMBER	ØZ	ØY	X	V	ØW
	±.020	±.030	±.094	±.030	MAX
0 2	.125	.406	.418	.781	N/A
0 4	.250	.531	.481	.781	N/A
0 6	.375	.625	.543	.906	.734
0 8	.500	.750	.606	.969	.858
1 0	.625	.875	.668	1.156	1.112
1 2	.750	1.000	.731	1.270	1.345
1 4	.875	1.125	.794	1.406	1.345
1 6	1.000	1.250	.856	1.531	1.594
1 8	1.125	1.375	.918	1.656	1.594
2 0	1.250	1.500	.980	1.781	1.969

⁴ DEMINIONS J & K APPLY TO SELF LOCKING OPTION ONLY.

³ A 2 PIECE ADAPTER SUPPLIED WHEN ENTRY SIZE EXCEEDS AVAILABLE ENTRY.

- MATERIAL: ADAPTER COMPONENTS ~ ALUMINUM ALLOY.
O'RING ~ SILICONE
- ASSEMBLY IDENTIFICATION PER MIL-STD-1285.

NOTES: UNLESS OTHERWISE SPECIFIED.

The information disclosed herein is the property of, and a proprietary item originated by ELECTRO ADAPTER, INC., who reserves all patent, proprietary design, use, sale, manufacturing and reproduction rights thereto; except for uses expressly granted to the United States Government and items which are vendor parts, disclosure shall not be made without written consent from ELECTRO ADAPTER, INC.

UNLESS OTHERWISE SPECIFIED DIMENSIONS ARE IN INCHES

TOLERANCES: ANGLES DECIMALS
 ± 2' .XX = ± .06
 .XXX = ± .031

DO NOT SCALE DRAWING

DRAWN	DATE
ATP	04/11/00
CHKD	DATE
GF	09/16/83
APVD	DATE
GF	09/16/83
GF	09/16/83
RELEASED	DATE

ELECTRO ADAPTER, INC.
CHATSORTH, CA. 91311-6189

DRAWING TITLE
ADAPTER, SHRINK BOOT
SHIELD TERMINATION FOR
MIL-DTL-38999, SERIES III & IV
CONNECTORS

SIZE	CAGE CODE	DRAWING NUMBER	REV.
A	31461	4840	G

SCALE: NONE /O/SALES/4840 SHEET 1 OF 1