

*Example Part Number*

3140-12056

ADAPTER SERIES  
SHRINK BOOT ADAPTER

CONNECTOR CODE NUMBER  
MIL-C-38999, SERIES III & IV  
CONNECTOR

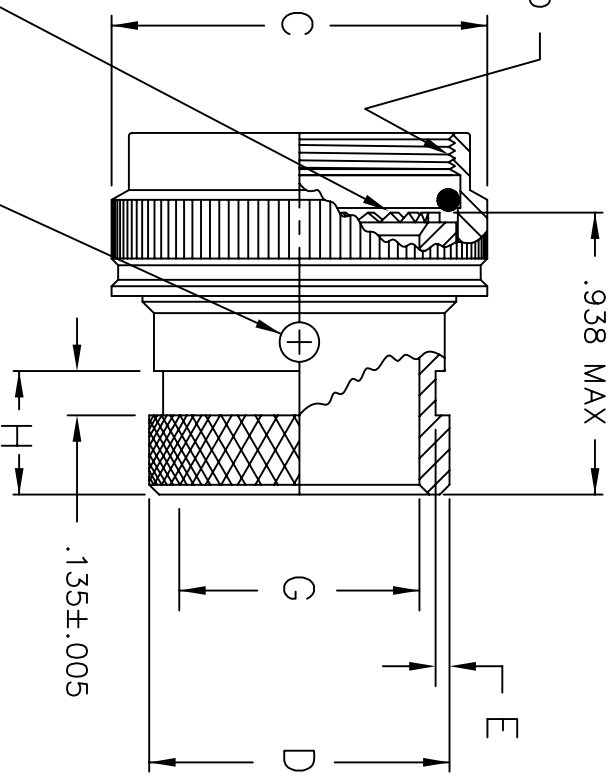
PLATING CODE NUMBER  
CODE 03 - CADMIUM, OLIVE DRAB,  
PER QQ-P-416, TYPE II, CLASS 3.  
CODE 56 - ELECTROLESS NICKEL, PER  
MIL-C-26074, CLASS 4, GRADE A.  
FOR ADDITIONAL FINISH OPTIONS, SEE CATALOG TABLE 4

DRAIN HOLE OPTION  
0 = NOT REQUIRED, 1 = WITH DRAIN HOLES  
CONSULT FACTORY FOR ADDITIONAL OPTIONS

CONNECTOR ORDER NUMBER

ORDER NUMBER	SHELL SIZE		A	ØC	ØD	ØE	ØG	H
	COM'L	MIL						
0 8	9	A	M12 X 1.0	.719	.533	.044	.240	.425
1 0	11	B	M15 X 1.0	.843	.605	.044	.355	.425
1 2	13	C	M18 X 1.0	.969	.774	.044	.490	.425
1 4	15	D	M22 X 1.0	1.093	.838	.044	.585	.425
1 6	17	E	M25 X 1.0	1.219	.963	.044	.710	.425
1 8	19	F	M28 X 1.0	1.343	1.042	.044	.789	.425
2 0	21	G	M31 X 1.0	1.469	1.217	.069	.914	.425
2 2	23	H	M34 X 1.0	1.593	1.355	.069	1.039	.425
2 4	25	J	M37 X 1.0	1.719	1.443	.069	1.154	.425

A THREAD



CONNECTOR/ADAPTER INTERFACE  
PER MIL-C-38999 SERIES III/IV

4X Ø.125±.020 DRAIN HOLES  
@ 90° OPTIONAL, SEE PART NUMBER

NOTES: UNLESS OTHERWISE SPECIFIED.

1. ASSEMBLY IDENTIFICATION PER MIL-STD-1285.
2. MATERIAL: ADAPTER BODY & COUPLING RING, ALUMINUM ALLOY.  
O'RING, SILICONE.

PART NUMBER		REVISIONS			
3140		LTR	ECO NUMBER	DRAWN	APPROVED
A	12-0462	GF	7-11-78	GF	7-13-78
B	19095	JNW	11-2-95	GF	11-2-95

The information disclosed herein is the property of, and a proprietary item originated by ELECTRO ADAPTER, INC., who reserves all patent, proprietary design, use, sale, or other rights in and to the same. It is intended for use only for the specific application and items for which it was originally intended. No other use, reproduction, or distribution is permitted without the prior written consent of ELECTRO ADAPTER, INC.

UNLESS OTHERWISE SPECIFIED DIMENSIONS ARE IN INCHES

TOLERANCES: ANGLES DECIMALS  
± .2° .XX ± .005  
± .001 ± .001

DO NOT SCALE DRAWING

DRAWN	J.N. WALKER	DATE	11-2-95
CHKD	GF	DATE	7-13-78
APVD	GF	DATE	7-13-78

RELEASED \_\_\_\_\_ DATE \_\_\_\_\_

**ELECTRO ADAPTER, INC.**  
CHAITSWORTH, CA. 91311-6189

DRAWING TITLE: SHRINK BOOT ADAPTER  
SPIN COUPLING FOR MIL-C-38999  
SERIES III & IV CONNECTOR

SIZE: A  
GAGE CODE: 31461  
SCALE: NONE  
DRAWING NUMBER: 3140

REV. B