

# Example Part Number

## 3040-1203

ADAPTER SERIES,  
SHRINK BOOT ADAPTER

CONNECTOR CODE NUMBER  
MIL-C-38999 SERIES III & IV  
CONNECTORS

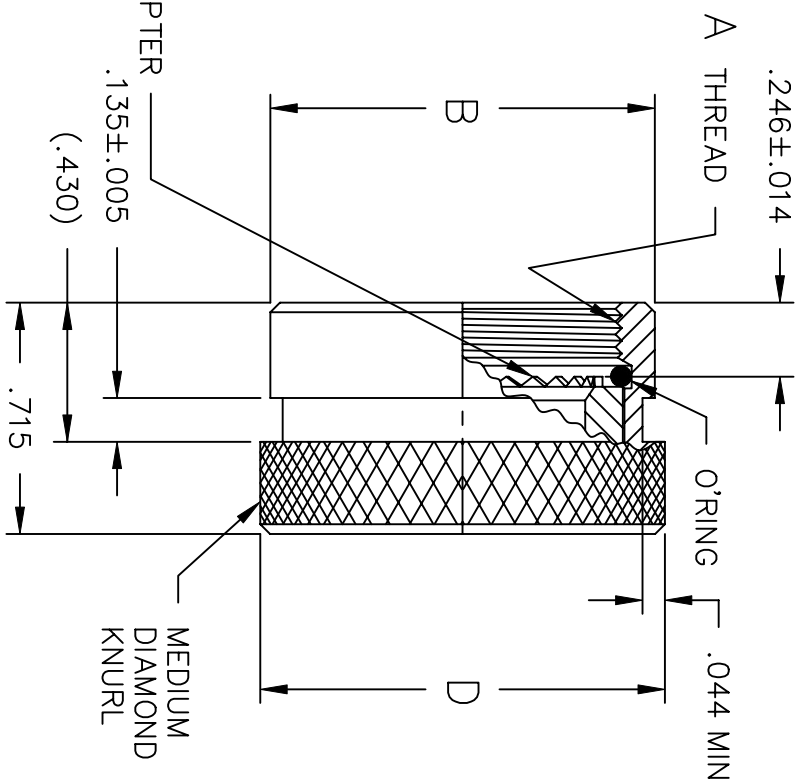
### PLATING CODE NUMBER

CODE 03 - CADMIUM, OLIVE DRAB PER  
QQ-P-416 TYPE II CLASS 3  
CODE 55 - CADMIUM, OLIVE DRAB PER  
QQ-P-416, TYPE II CLASS 3, OVER  
ELECTROLESS NICKEL PER MIL-C-26074  
CLASS 3 OR 4, GRADE B  
CODE 56 - ELECTROLESS NICKEL, PER  
MIL-C-26074, CLASS 4, GRADE A.  
REF. EAPL 001 IF OTHER FINISH REQUIRED.

### CONNECTOR ORDER NUMBER

ORDER NUMBER	SHELL SIZE		A METRIC THD CLASS 6H	ØB +.010 -.020	ØD +.000 -.030	USE MS3117-** OR MS3109-** SHRINK BOOT
	MIL	COML				
08	A	9	M12 X 1.0	.656	.688	-02, -12
10	B	11	M15 X 1.0	.781	.812	-03, -13
12	C	13	M18 X 1.0	.906	.938	-04, -14
14	D	15	M22 X 1.0	1.031	1.062	-04, -14
16	E	17	M25 X 1.0	1.188	1.250	-05, -15
18	F	19	M28 X 1.0	1.312	1.375	-05, -15
20	G	21	M31 X 1.0	1.438	1.500	-06, -16
22	H	23	M34 X 1.0	1.562	1.625	-06, -16
24	J	25	M37 X 1.0	1.688	1.750	-07, -16

CONNECTOR / ADAPTER  
INTERFACE PER  
MIL-C-38999



1. ASSEMBLY IDENTIFICATION PER MIL-STD-130.
2. MATERIAL: BODY - ALUMINUM ALLOY  
O-RING - SILICONE

NOTES: UNLESS OTHERWISE SPECIFIED.

PART NUMBER	3040		
REVISIONS			
LTR	ECO NUMBER	DRAWN	APPROVED

The information disclosed herein is the property of, and a proprietary item originated by ELECTRO ADAPTER, INC., who reserves all rights in and to the design, construction, manufacture, production and reproduction of the herein, except for uses expressly granted to the United States Government and items which are vendor parts, disclosure shall not be made without written consent from ELECTRO ADAPTER, INC.

UNLESS OTHERWISE SPECIFIED DIMENSIONS ARE IN INCHES	DRAWN	J.N. WALKER	DATE	09-11-96
TOLERANCES: ANGLES DECIMALS	CHKD	G.FISH	DATE	9-12-96
±.001 ±.002 ±.005 ±.010 ±.015 ±.030 ±.050 ±.100	APVD		DATE	
DO NOT SCALE DRAWING	RELEASED		DATE	9-12-96

ELECTRO ADAPTER, INC. CHATSWORTH, CA. 91311-6189			
DRAWING TITLE SHRINK BOOT ADAPTER FOR MIL-C-38999 SER. III & IV SERIES CONNECTOR			
SIZE	CAGE CODE	DRAWING NUMBER	REV.
A	31461	3040	1
SCALE: NONE		SHEET 1 OF 1	