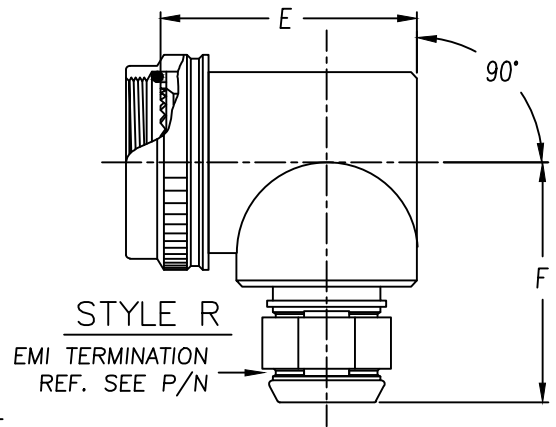
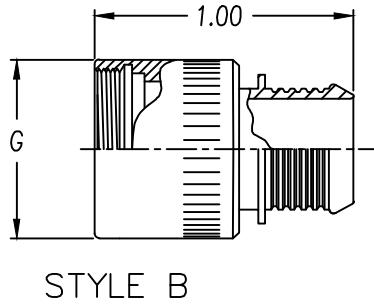
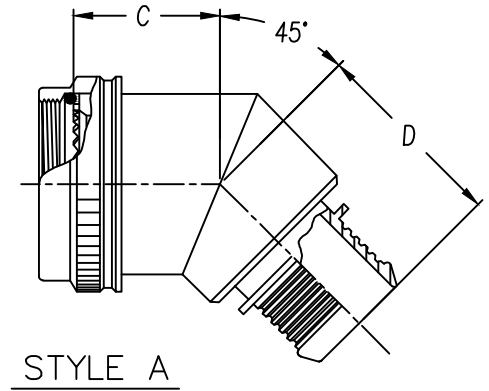
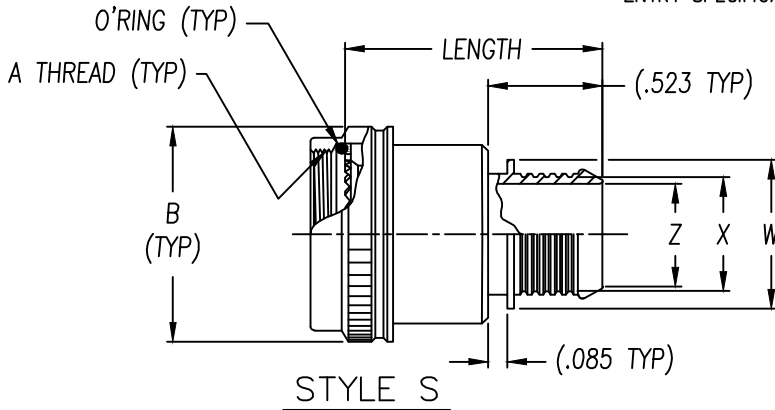




**ELECTRO ADAPTER, INC.**  
 CHATSWORTH, CALIFORNIA, USA 91311  
 PHONE: (818) 998-1198  
 FAX: (818) 709-5773  
 WEB SITE: www.electro-adapter.com

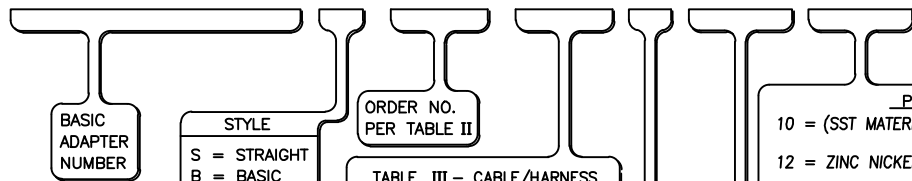
**EMI BAND ADAPTER  
 FOR MIL-DTL-38999 SERIES  
 MINIATURE CONNECTORS**  
 ENTRY SPECIFICATION SHEET \*

**SPECIFICATION CONTROL DRAWING  
 30070**



*Example Part Number*

**30070S161010855**



**STYLE**  
 S = STRAIGHT  
 B = BASIC  
 A = 45°  
 R = 90°

**TABLE III - CABLE/HARNESS ENTRY DATA**

ENTRY ORDER NO.	EMP BAND		
	Z ±.015	X ±.015	W ±.015
0 3	.188	.227	.329
0 4	.250	.289	.391
0 5	.312	.351	.453
0 6	.375	.414	.516
0 7	.438	.477	.579
0 8	.500	.539	.641
0 9	.562	.601	.703
1 0	.625	.644	.766
1 1	.688	.727	.829
1 2	.750	.789	.891
1 3	.812	.851	.953
1 4	.875	.914	1.016

**PLATING CODE NUMBER**  
 10 = (SST MATERIAL), PASSIVATED PER AMS-2700D  
 12 = ZINC NICKEL PER ASTM B841, BLACK  
 14 = ZINC COBALT PER ASTM B840-99, BLACK  
 55 = CADMIUM, OLIVE DRAB, PER SAE AMS-QQ-P-416, CLASS 3, OVER ELECTROLESS NICKEL PER AMS-2404F, GRADE B  
 56 = ALUMINUM, ELECTROLESS NICKEL PER AMS-2404F, CLASS 4, GRADE A.  
 FOR ADDITIONAL FINISH OPTION, SEE CATALOG TABLE 4

**LENGTH CODE NUMBER**  
 SELECT LENGTH IN 1/4" INCREMENTS (ie; 08=2.00), MINIMUM ORDER LENGTH .75" (03), 00 FOR 45° & 90° ADAPTERS (STYLES A & R)

**TERMINATION NUMBER**  
 1 = ADAPTER ONLY  
 8 = ADAPTER w/ 1/8" EMI TERMINATION BAND  
 P/N 214L0005  
 CONSULT FACTORY FOR TERMINATION NUMBER NOT SHOWN



**TABLE II – CONNECTOR CODE 70**  
**SPL MIL-C-38999**  
**MINIATURE CONNECTOR**

ORDER NO.	A UNIFIED THD. CLASS 2B	φB MAX.	C MAX.	D MAX.	E MAX.	F MAX.	G MAX.	4. MAX. 1 PC ENTRY	3. COUPLING TORQUE VALUE	
									MIN.	MAX.
0 5	.250-32	.470	.542	.875	.875	1.000	.340	0 3	13	17
0 6	.312-32	.577	.542	.917	.875	1.000	.415	0 4	18	22
1 1	.375-28	.637	.570	.929	.875	1.062	.465	0 4	35	45
0 7	.438-28	.637	.570	.929	.875	1.062	.530	0 4	30	40
0 8	.500-28	.700	.580	.942	.875	1.062	.595	0 6	30	40
0 9	.562-24	.758	.590	.955	1.000	1.125	.650	0 6	35	45
1 0	.625-24	.819	.610	.968	1.000	1.125	.715	0 8	35	45
1 2	.688-24	.896	.640	.994	1.125	1.187	.785	0 8	35	45
1 3	.750-20	.930	.660	1.007	1.125	1.187	.830	0 9	35	45
1 4	.938-20	1.137	.690	1.020	1.375	1.312	1.020	1 2	35	45
1 7	1.188-18	1.375	.720	1.060	1.500	1.375	N/A	1 4	35	45

NOTES: UNLESS OTHERWISE SPECIFIED

- ASSEMBLY IDENT. PER MIL-STD-1285.
- MATERIAL: ADAPTER / - ALUM. ALLOY /  
 COMPONENTS 300 SERIES SST (SEE P/N)  
 O'RING - SILICONE

3. VALUES LISTED ARE IN IN-LBS.

4. "2 PIECE" CONFIG. SUPPLIED WHEN CABLE  
 ENTRY DIA. EXCEEDS CONN. INSERT DIA..