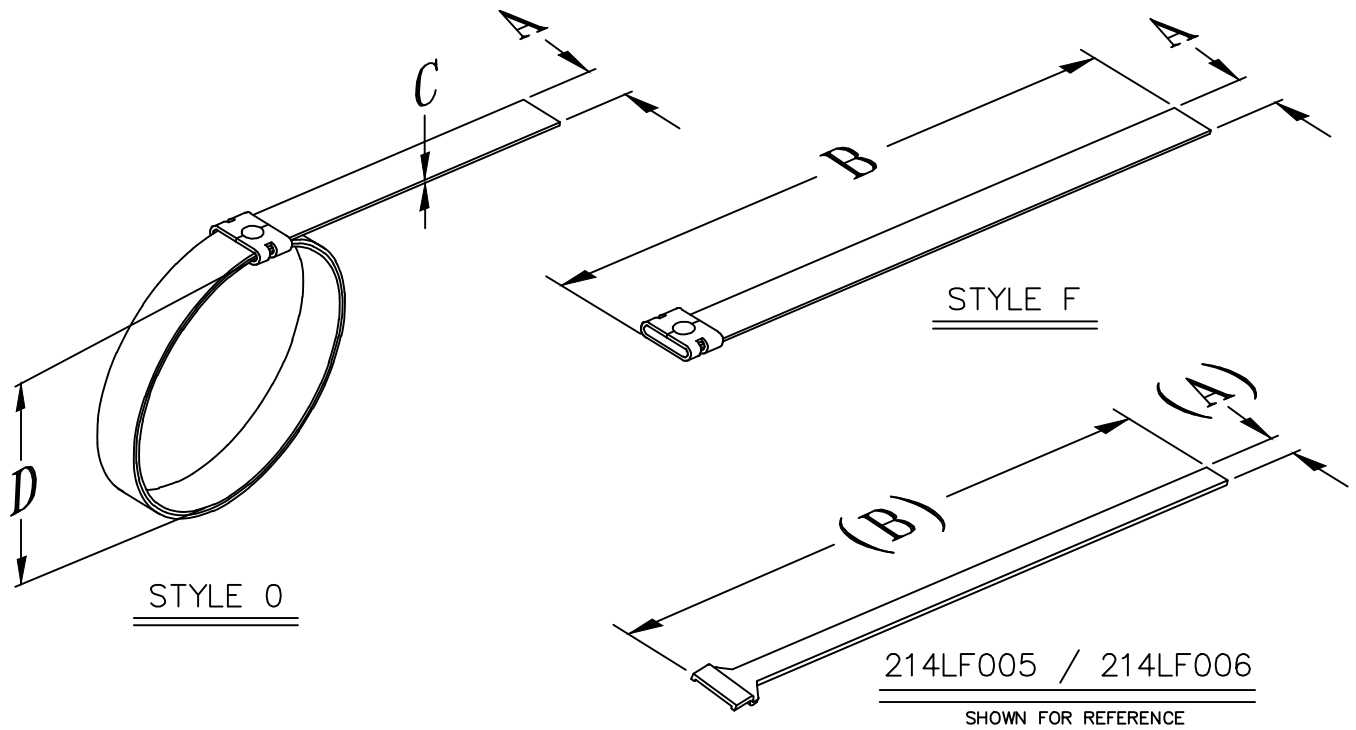




**ELECTRO ADAPTER INC.**  
 CHATSWORTH, CALIFORNIA, USA 91311  
 PHONE (818) 998-1198  
 FAX (818) 709-5773

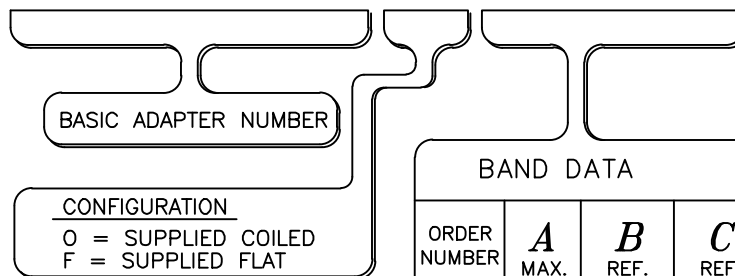
**SECTION 2 - BANDING TERMINATION  
 WIRE HARNESS ACCESSORIES,  
 ELECTRICAL, EMI / RFI / EMP,  
 SHIELD TERMINATION BAND,  
 PER AS85049 CATEGORY 7**

**214L**  
 SHEET 1 OF 1



*Example Part Number*

**214LF002**



ORDER NUMBER	BAND DATA			$\phi D$ APPROX.	
	A MAX.	B REF.	C REF.	FULL OPEN	MIN. INSTALLED
002	.25	12.00	.019	1.50	.156
005	.12	8.125	.015	.88	.125
006	.25	14.25	.019	1.80	.156

NOTES: UNLESS OTHERWISE SPECIFIED

1. ASSEMBLY IDENT. PER MIL-STD-1285
2. MATERIAL: 300 SERIES STAINLESS STEEL
3. FINISH: PASSIVATE PER SAE AMS2700D
4. BANDS MUST BE DOUBLE WRAPPED.
5. EXTENDED LENGTHS AVAILABLE  
CONSULT FACTORY REGARDING THIS OPTION
6. INSTALL USING BAND-IT<sup>®</sup> TOOL #A30199
7. INSTALL USING BAND-IT<sup>®</sup> TOOL #A40199
8. BAND(S) COME BAGGED AND TAG IN QTY(S)  
FROM 1 TO 100
9. PRODUCT(S) MAY LOOK DIFFERENT THEN SHOWN
10. BAND(S) MEET REQUIREMENTS OF AS85049/128