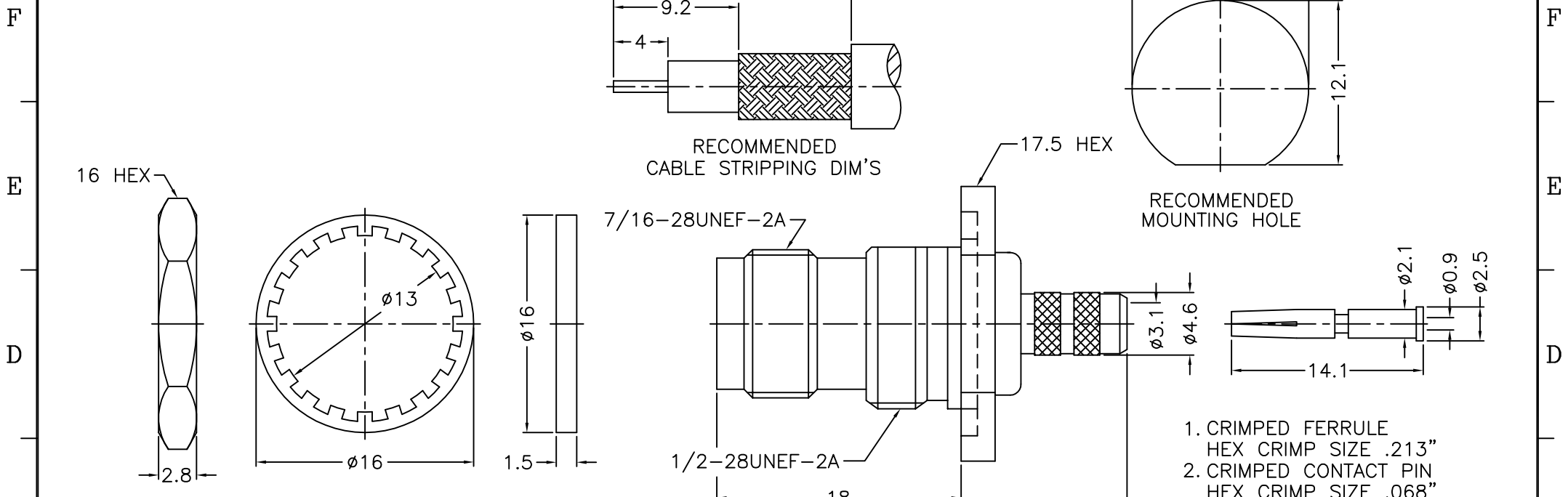


REVISIONS		
ISS	ZONE	DESCRIPTION\PER REQUEST\DATE



NOTES: FINISH (PLATING THICKNESS IN MICRO-INCHES)
 1. BRASS
 2. NICKEL PL. 100 MIN. THICK OVER COPPER PL. 50 MIN. THICK
 3. PHOSPHOR BRONZE
 4. GOLD PL. 3 MIN. THICK OVER NICKEL PL. 50 MIN. THICK OVER COPPER PL. 50 MIN. THICK
 5. DELRIN

10	HEAT SHRINK TUBING	WITH GLUE	BLACK	1	GHT-64-200L
9	FERRULE	COPPER	NOTE 2	1	FR-533-648-127C
8	CONTACT PIN	NOTE 3	NOTE 4	1	900-6000-8-0.9
7	HEX NUT	NOTE 1	NOTE 2	1	HN-16-1228-28
6	LOCK WASHER	NOTE 1	NOTE 2	1	LW-13-16-05
5	GASKET	RUBBER	RED	1	GS-122-160-15
4	BARREL	NOTE 1	NOTE 2	1	900-6421A3-4-06
3	INSULATOR	NOTE 5	NATURAL	1	900-6000-3-50D
2	BODY	NOTE 1	NOTE 2	1	71628-6000-2
1	HOUSING	NOTE 1	NOTE 2	1	900-6421E1-1

DIMENSIONS ARE IN MILLIMETERS
 UNLESS OTHERWISE SPECIFIED TOLERANCES
 0.5-6 = ±0.2
 6-30 = ±0.4
 30-120 = ±0.6
 120-315 = ±1
 315-1000 = ±1.6
 1000-2000 = ±2.4

PART NO.	
TNC-6421A1-06-50D	
APPROVED	DATE 04-01-'14
CHECKED	DATE 04-01-'14
DRAWN	DATE 04-01-'14

TITLE TNC BULKHEAD CRIMP JACK (FOR RG-58, 58A, 58C, 141 CABLE)	
DRAWING NO. 71628-6421A4-06-50D	
FILE NO. R:\D\G\DWG\71628\6421A4\06\50D	

NO.	DESCRIPTION	MATERIAL	FINISH	Q'TY	DRAWING NO.	SCALE	2.5/1	ISSUE	A