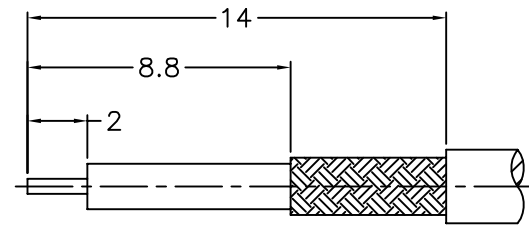
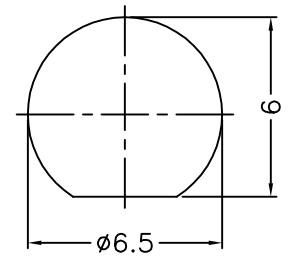


1 2 3 4 5 6 7 8

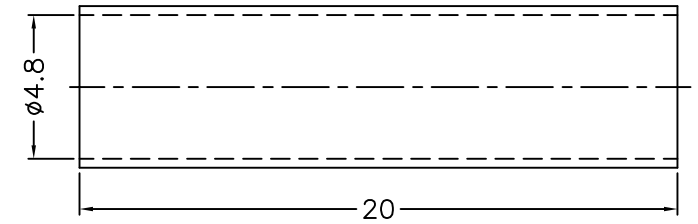
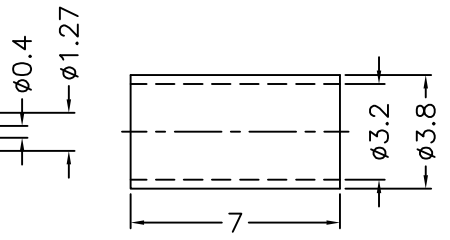
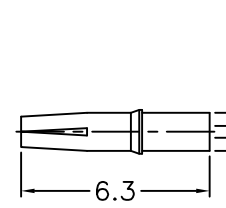
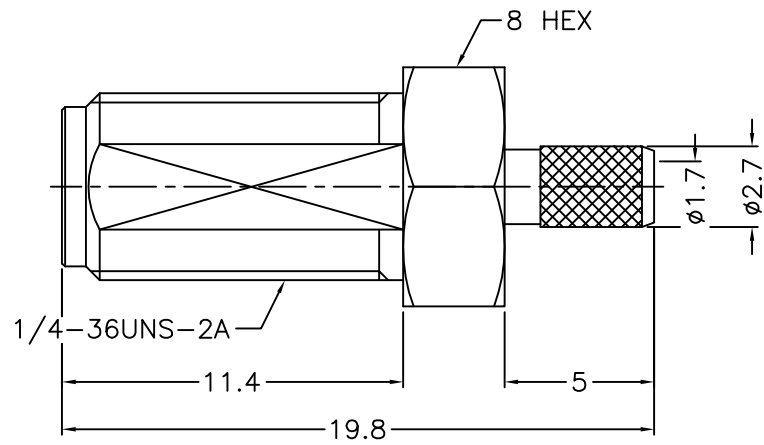
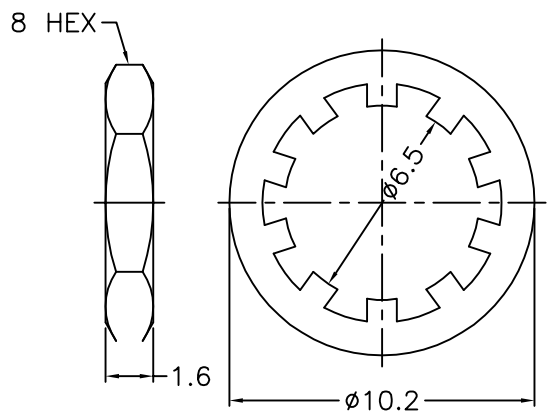
REVISIONS		
ISS	ZONE	DESCRIPTION\PER REQUEST\DATE



RECOMMENDED CABLE STRIPPING DIM'S



RECOMMENDED MOUNTING HOLE



1. CRIMPED FERRULE HEX CRIMP SIZE .128"
2. CONTACT PIN TO SOLDER

NOTES: FINISH (PLATING THICKNESS IN MICRO-INCHES)
 1. BRASS
 2. THIN GOLD OVER NICKEL PL. 50 MIN. THICK OVER COPPER PL. 50 MIN. THICK
 3. BERYLLIUM COPPER
 4. TEFLON
 5. GOLD PL. 3 MIN. THICK OVER NICKEL PL. 50 MIN. THICK OVER COPPER PL. 50 MIN. THICK

8	HEAT SHRINK TUBING	WITH GLUE	BLACK	1	GHT-48-200L
7	FERRULE	NOTE 1	NOTE 2	1	FR-32-38-70
6	CONTACT PIN	NOTE 3	NOTE 5	1	1436-6411A2-6-0.4
5	HEX NUT	NOTE 1	NOTE 2	1	HN-8-1436-16
4	LOCK WASHER	NOTE 1	NOTE 2	1	LW-65-102-05
3	RING	NOTE 1	NOTE 2	1	1436-6411A2-3
2	INSULATOR	NOTE 4	NATURAL	1	1436-6411A2-2-50T
1	BODY	NOTE 1	NOTE 2	1	1436-6411A2-1-02

DIMENSIONS ARE IN MILLIMETERS				PART NO.			
UNLESS OTHERWISE SPECIFIED TOLERANCES 0.5-6 = ±0.2 6-30 = ±0.4 30-120 = ±0.6 120-315 = ±1 315-1000 = ±1.6 1000-2000 = ±2.4				SMA-6411A1-03-50			
				APPROVED	DATE	04-01-'14	
				CHECKED	DATE	04-01-'14	
				DRAWN	DATE	04-01-'14	

		TITLE	SMA BULKHEAD CRIMP JACK (FOR RG-179, 187 CABLE)
		DRAWING NO.	1436-6411A10-03-50
FILE NO.		R:\D\G\DWG\1436\6411A10\03\50	

NO.	DESCRIPTION	MATERIAL	FINISH	Q'TY	DRAWING NO.
-----	-------------	----------	--------	------	-------------

1 2 3 4 5 6 7 8

F
E
D
C
B
A

F
E
D
C
B
A