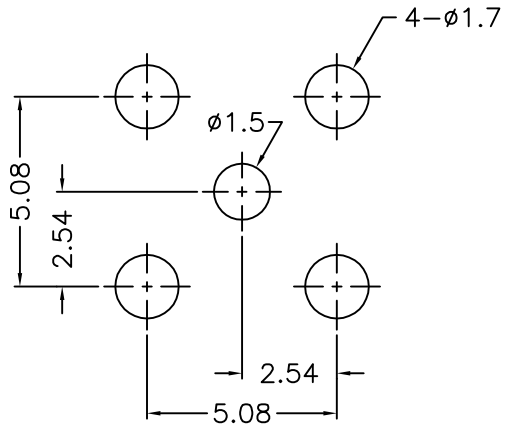
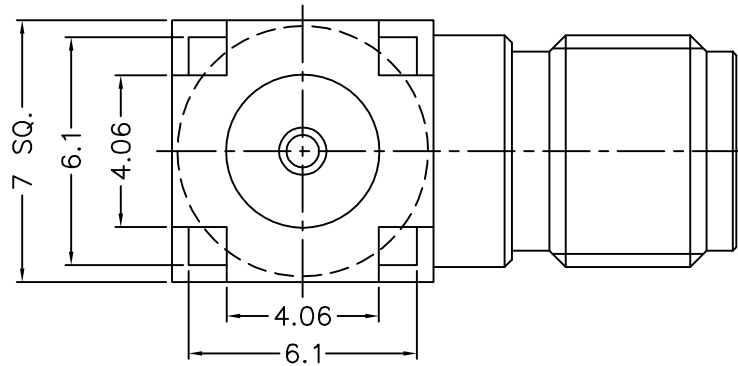
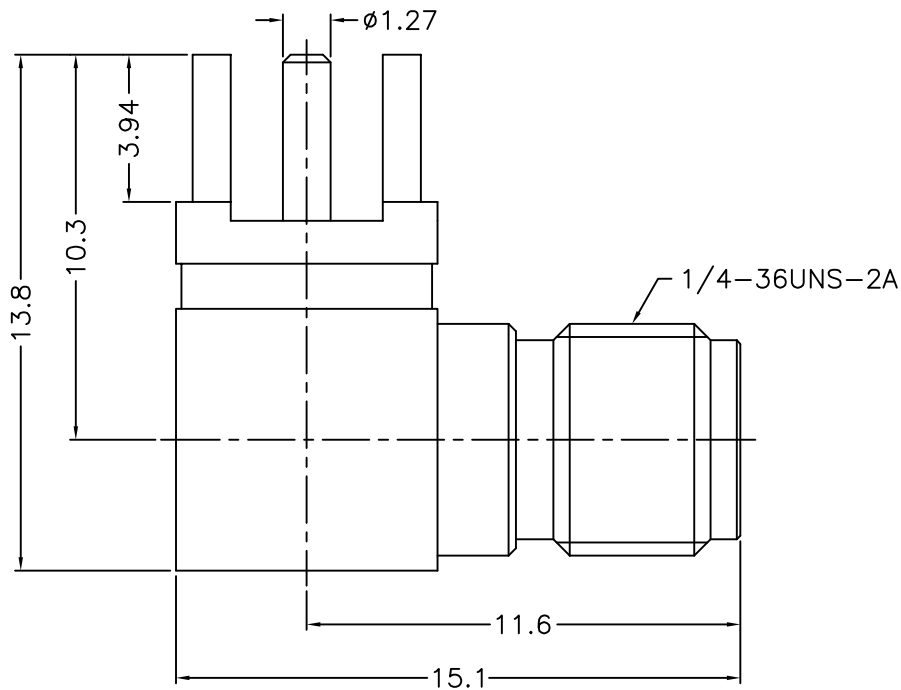


1 2 3 4 5 6 7 8

REVISIONS		
ISS	ZONE	DESCRIPTION\PER REQUEST\DATE
A1	B-2	FINISH WAS CHANGED\N/A\03-01-'12



PCB MOUNTING HOLE




NOTES: FINISH (PLATING THICKNESS IN MICRO-INCHES)

1. BRASS
2. THIN GOLD OVER NICKEL PL. 50 MIN. THICK OVER COPPER PL. 50 MIN. THICK
3. BERYLLIUM COPPER
4. GOLD PL. 3 MIN. THICK OVER NICKEL PL. 50 MIN. THICK OVER COPPER PL. 50 MIN. THICK
5. TEFLON

NO.	DESCRIPTION	MATERIAL	FINISH	Q'TY	DRAWING NO.
4	INSULATOR	NOTE 5	NATURAL	1	1436-6000-4
3	CONTACT PIN	NOTE 3	NOTE 4	1	1436-6252A2-3
2	INSULATOR	NOTE 5	NATURAL	1	1436-6000-2
1	HOUSING WITH BODY	NOTE 1	NOTE 2	1	1436-6252A2-1

DIMENSIONS ARE IN MILLIMETERS			
UNLESS OTHERWISE SPECIFIED TOLERANCES			
0.5-6	=	±0.2	
6-30	=	±0.4	
30-120	=	±0.6	
120-315	=	±1	
315-1000	=	±1.6	
1000-2000	=	±2.4	

PART NO.		SMA-6252A1-50
APPROVED	DATE	03-01-'12
CHECKED	DATE	03-01-'12
DRAWN	DATE	03-01-'12

 electro-mechanical engineering		
TITLE		SMA R/A P.C.B. MOUNT JACK
DRAWING NO.		1436-6252A1-50
FILE NO.		R:\D\G\DWG\1436\6252A1\50

1 2 3 4 5 6 7 8

F

E

D

C

B

A

F

E

D

C

B

A