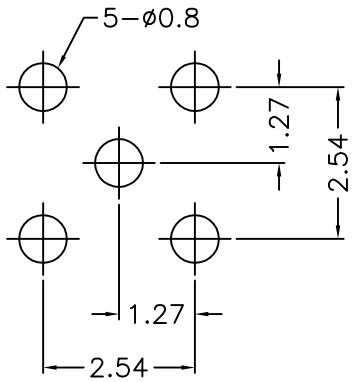


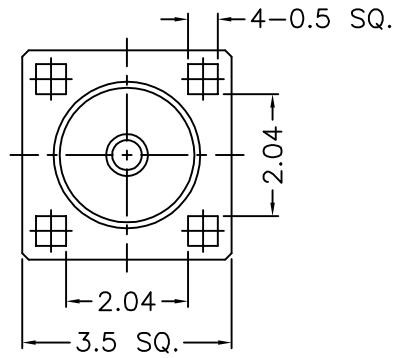
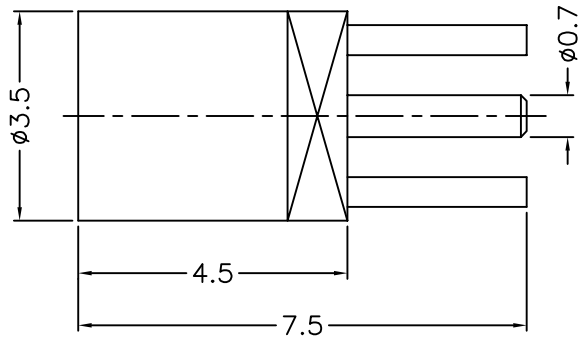
1 2 3 4 5 6 7 8

REVISIONS		
ISS	ZONE	DESCRIPTION\PER REQUEST\DATE

REMARK : 1. BETWEEN NO.1 AND NO.2 MUST WITHSTAND A 2.3 LBS MIN. SEPARATED FORCE.
 2. BETWEEN NO.2 AND NO.3 MUST WITHSTAND A 2.3 LBS MIN. SEPARATED FORCE.




PCB MOUNTING HOLE
(印刷电路板架設孔)



- NOTES: FINISH (PLATING THICKNESS IN MICRO-INCHES)
- BRASS
 - GOLD PL. 3 MIN. THICK OVER NICKEL PL. 50 MIN. THICK OVER COPPER PL. 50 MIN. THICK
 - BERYLLIUM COPPER
 - TEFLON

DIMENSIONS ARE IN MILLIMETERS			
UNLESS OTHERWISE SPECIFIED TOLERANCES			
0.5-6	=	±0.2	
6-30	=	±0.4	
30-120	=	±0.6	
120-315	=	±1	
315-1000	=	±1.6	
1000-2000	=	±2.4	

PART NO.		MMCX-6251A1-50
APPROVED	DATE	04-25-'10
CHECKED	DATE	04-25-'10
DRAWN	DATE	04-25-'10

	
TITLE	
MMCX P.C.B. JACK	
DRAWING NO.	
200-6251N3-50	
FILE NO.	
R:\D\G\DWG\200\6251N3\50	

NO.	DESCRIPTION	MATERIAL	FINISH	Q'TY	DRAWING NO.
3	CONTACT PIN	NOTE 3	NOTE 2	1	200-6251N3-3
2	INSULATOR	NOTE 4	NATURAL	1	200-6251N3-2T
1	BODY	NOTE 1	NOTE 2	1	200-6251N3-1

1 2 3 4 5 6 7 8