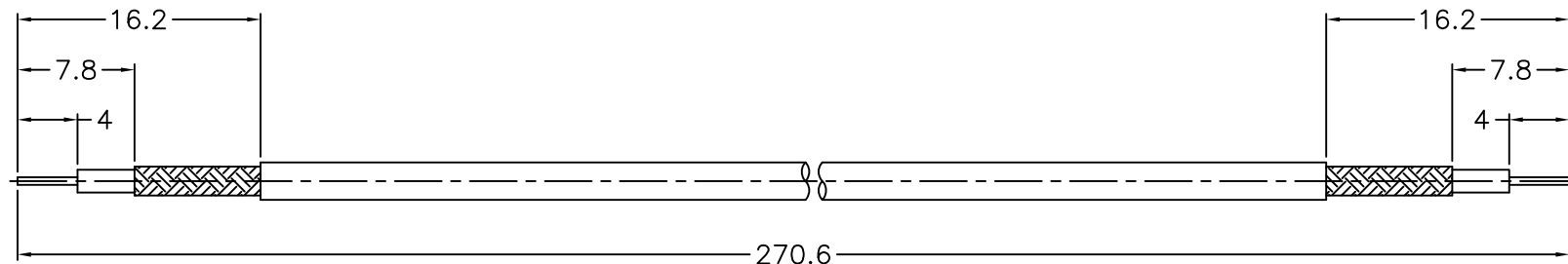
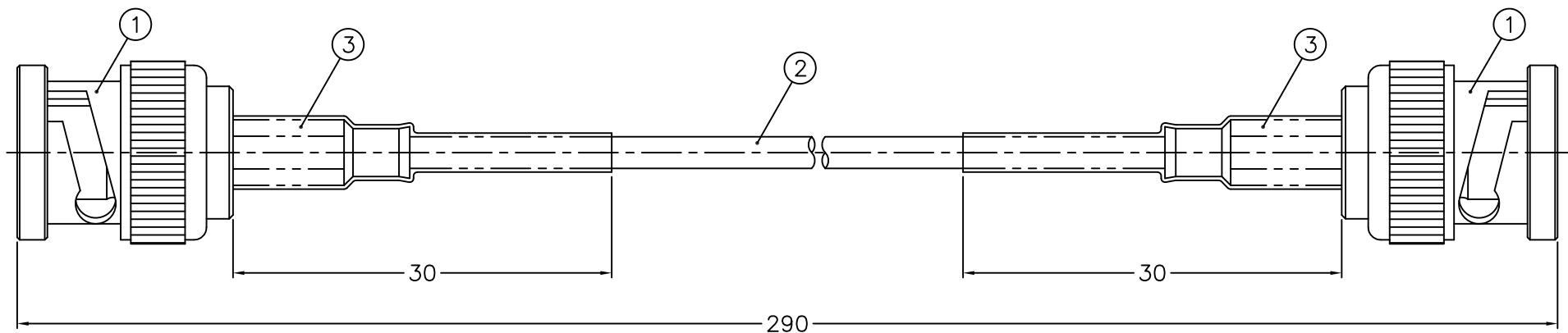


1		2		3		4		5		6		7		8	
REVISIONS															
ISS	ZONE	DESCRIPTION\PER REQUEST\DATE													



RECOMMENDED
CABLE STRIPPING DIM'S
(建議剝線尺寸)



RoHS COMPLIANT

					DIMENSIONS ARE IN MILLIMETERS				PART NO.			G.L.I.						
					UNLESS OTHERWISE SPECIFIED TOLERANCES				CAB-160601003-290									
					0.5-6 = ±0.2				APPROVED			DATE			TITLE			
					6-30 = ±0.4							06-20-'16			BNC-BNC CABLE			
					30-120 = ±0.6				CHECKED			DATE			DRAWING NO.			
					120-315 = ±1							06-20-'16			290mm CABLE (RG-174/U CCS)			
					315-1000 = ±1.6				DRAWN			DATE			FILE NO. R:\D\G\DWG\CABLE\BNC-BNC\02\CAB-160601003-290			
					1000-2000 = ±2.4							06-20-'16						
3	HEAT SHRINK TUBING		BLACK	2	ø5X30mmL	SCALE				2/1			ISSUE			A		
2	RG-174/U CCS	CABLE		1	270.6mmL													
1	BNC CRIMP PLUG	BRASS	NICKEL	2	900-1121E1-02-50D													
NO.	DESCRIPTION	MATERIAL	FINISH	Q'TY	DRAWING NO.													

1		2		3		4		5		6		7		8	
---	--	---	--	---	--	---	--	---	--	---	--	---	--	---	--