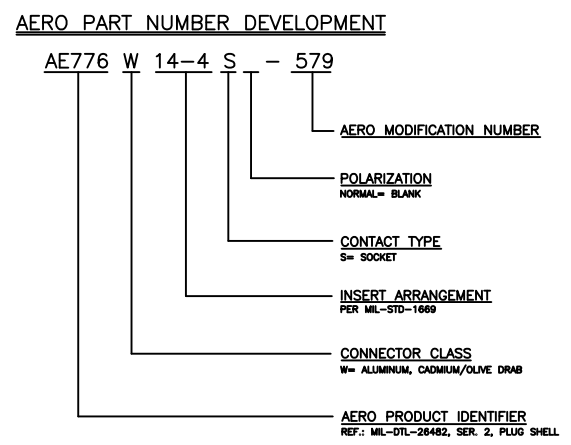
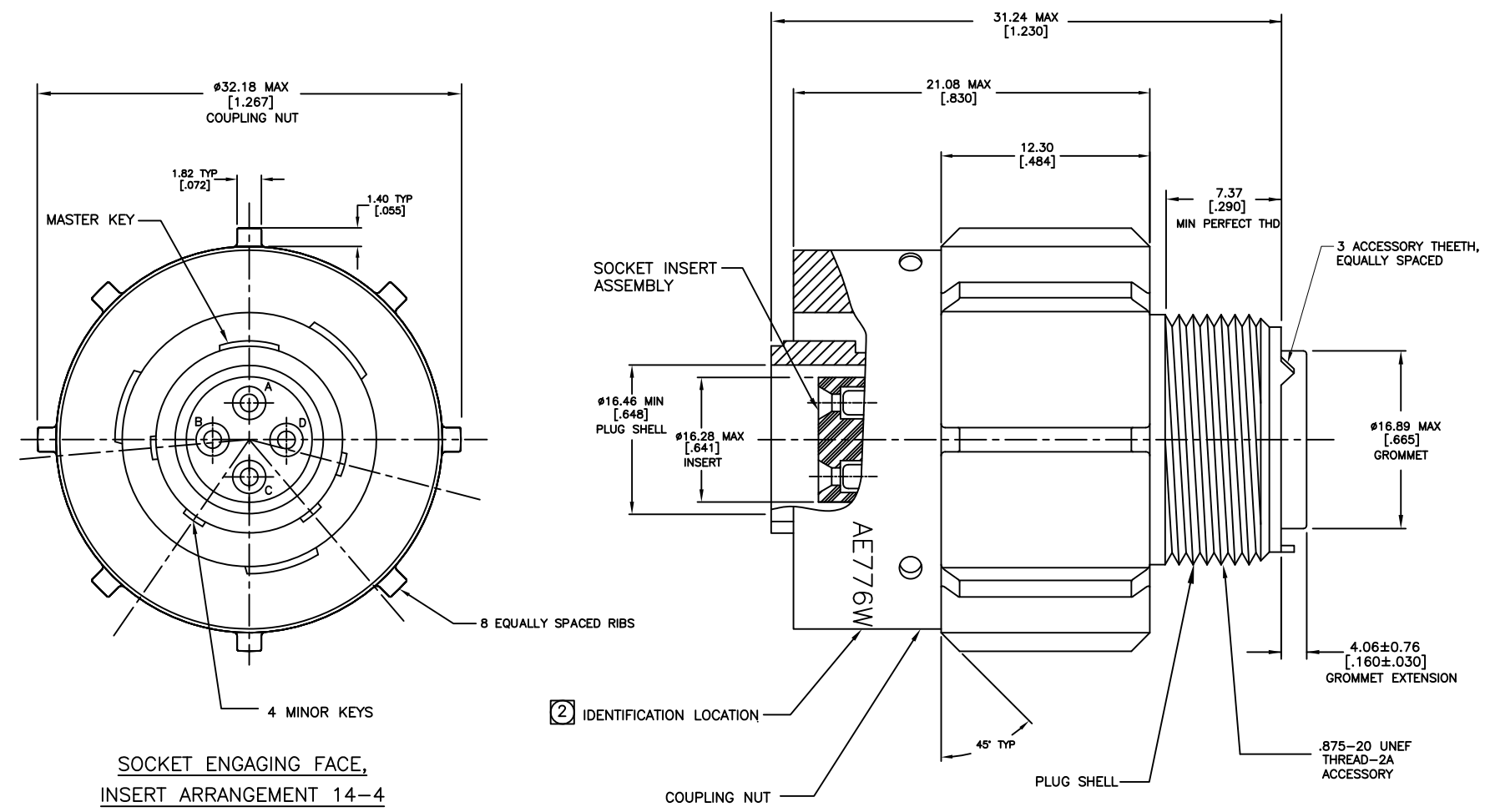


REV. NO.		AE776W14-4S-579		REVISION	-	
ECO NO.		LTR		DESCRIPTION	DATE	APPROVED
11075		-		NEW RELEASE	5/16/16	H.J.



CONTACT SIZE	MILITARY SOCKET CONTACT P/NO.	WIRE RANGE AWG	INSERTION/REMOVAL TOOLS	SEALING PLUG
12	AS39029/5-118	14-12	MB1969/14-04	MS27488-12-2

- DIMENSIONS SHOWN ARE IN MM; DIMENSIONS IN [ ] ARE IN INCHES, AND, SHOWN FOR REFERENCE.
- ALL COMPONENTS USED IN THIS CONNECTOR CONFORM TO MATERIAL REQUIREMENTS LISTED IN MIL-DTL-26482, SERIES 2 AND MS3476 SPECIFICATIONS.
- MARKING: "AERO", AERO PART NUMBER AND MANUFACTURING DATE CODE TO BE MARKED IN APPROXIMATE LOCATION SHOWN.
- EXACT NUMBER OF CRIMP CONTACTS SHALL BE INCLUDED IN THE PACKAGE. ONE SEALING PLUG AND ONE I.R. TOOL WILL BE PROVIDED.

NOTES: UNLESS OTHERWISE SPECIFIED.

ITEM NO.	QTY	CAGE NO.	PART OR IDENTIFYING NO.	NOMENCLATURE OR DESCRIPTION	MATERIAL OR FINISH	ZONE
PARTS LIST						
UNLESS OTHERWISE SPECIFIED: DIMENSIONS ARE IN INCHES. TOLERANCES ARE: DECIMALS ANGULAR				CONTRACT NO.		
.1 ± .01				DRAWN A.SHCHUR DATE 5/12/16		
.005 ± .001				CHECK DATE		
.002 ± .001				APPROVED H.JAMSHIDIAN DATE 5/16/16		
DO NOT SCALE DRAWING				CAD FILENAME: ENG\DRAWINGS\CUP\AE776W14-4S-579-		
MATERIAL				SIZE D 59976		
FINISH				CAGE NO. AE776W14-4S-579		
TREATMENT				SCALE NONE		
NEXT ASSY USED ON APPLICATION				SHEET 1 of 1		

AERO PART NUMBER DEVELOPMENT

A