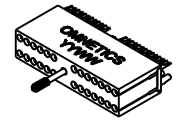
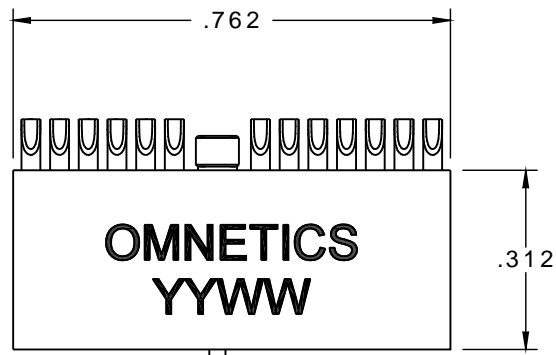
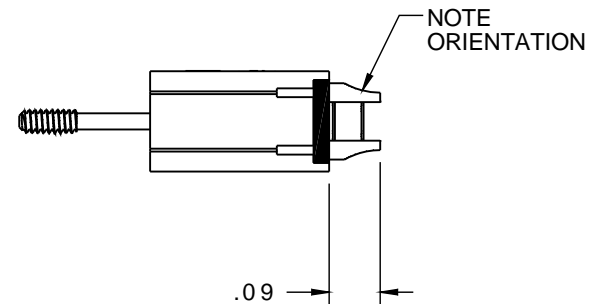
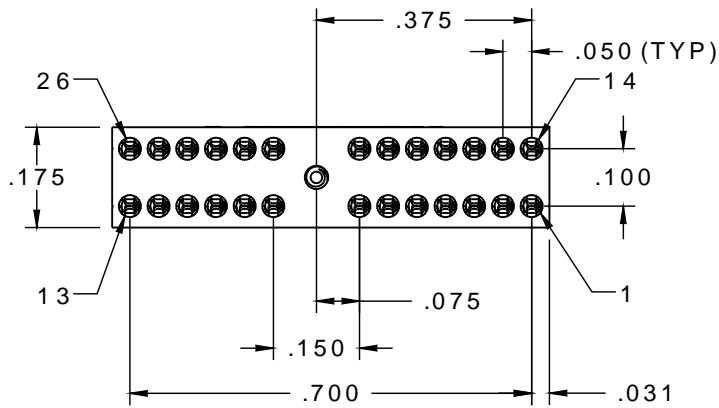


PART NO.	A 19689-001	REV	ECO	DATE	APP
		A	97241	12-23-10	JMJ



ACTUAL SIZE

MICRO-SCREW HOLDS & KEYS  
W/ 1/8" FLOAT CLEARANCE &  
.09" LENGTH OF THREAD



REF: RAFAEL

DRP SLDW	THIRD ANGLE	THIS DRAWING CONTAINS CONFIDENTIAL AND PROPRIETARY INFORMATION WHICH IS THE PROPERTY OF OMNETICS CONNECTOR CORPORATION. THIS DOCUMENT MAY NOT, IN WHOLE OR IN PART, BE DUPLICATED, OR DISCLOSED FOR ANY PURPOSE, WITHOUT WRITTEN PERMISSION FROM OMNETICS CONNECTOR CORP.		<b>OMNETICS</b> CONNECTOR CORPORATION 7260 COMMERCE CIRCLE EAST MINNEAPOLIS, MN 55432 WWW.OMNETICS.COM	CAGE CODE 61873		
	-TOLERANCES- UNLESS OTHERWISE NOTED	DFTM. MJM	DATE 05-07-10		TITLE:	DWG NO. A 19689-001	
	DIMENSIONS IN INCHES	CHK'D.	DATE		(26) PIN MALE DUAL ROW CONNECTOR W/MICRO SCREW	SHEET 1 OF 1	
	2 PL DEC ± .01 3 PL DEC ± .005 4 PL DEC ± .0005 ANGLES ± 1°	APP'D.	DATE			REV A	SCALE: 3:1