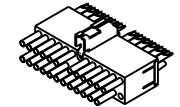
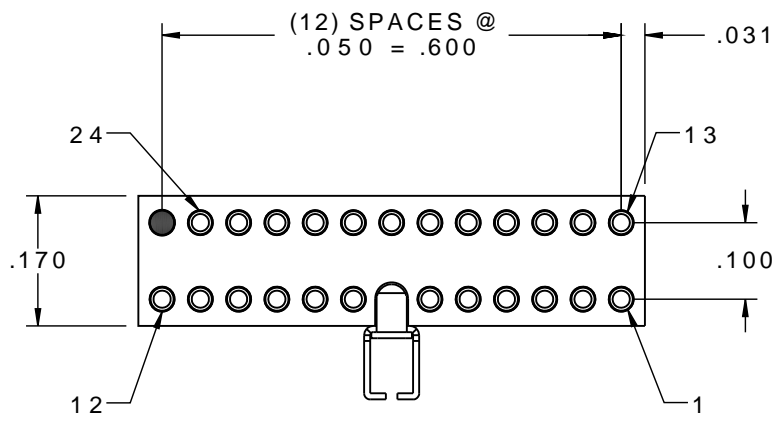


PART NO.	A 19191-001	REV	ECO	DATE	APP
		1			

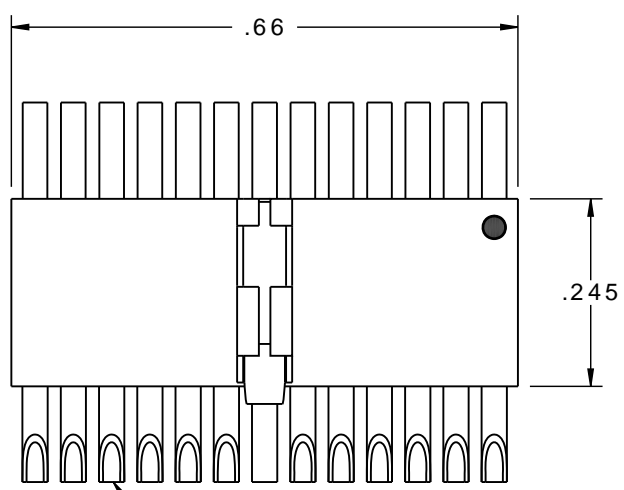


ACTUAL SIZE

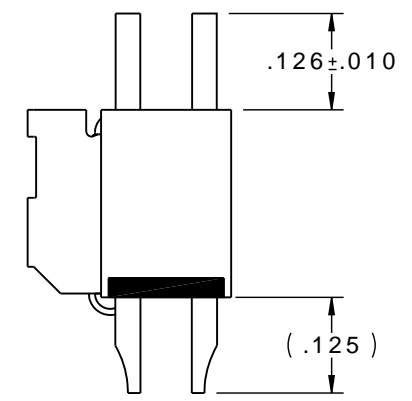


Drawing Approval

Date



NOTE ORIENTATION



REF: ELIMEC

CONNECTOR NOMENCLATURE: DRS-24-SS-LT

DRS SLDW	THIRD ANGLE
	-TOLERANCES-
	UNLESS OTHERWISE NOTED
	DIMENSIONS IN INCHES
	2 PL DEC ± .01
	3 PL DEC ± .005
	4 PL DEC ± .0005
	ANGLES ± 1°

THIS DRAWING CONTAINS CONFIDENTIAL AND PROPRIETARY INFORMATION WHICH IS THE PROPERTY OF OMNETICS CONNECTOR CORP. THIS DOCUMENT MAY NOT, IN WHOLE OR IN PART, BE DUPLICATED, OR DISCLOSED FOR ANY PURPOSE, WITHOUT WRITTEN PERMISSION FROM OMNETICS CONNECTOR CORP.	
DFTM. TLM	DATE 10-19-09
CHK'D.	DATE
APP'D.	DATE
TITLE: (24) SOCKET FEMALE DUAL ROW CONNECTOR W/BOX LATCH	

OMNETICS
CONNECTOR CORPORATION

7260 COMMERCE CIRCLE EAST
MINNEAPOLIS, MN 55432
WWW.OMNETICS.COM

CAGE CODE 61873	
DWG NO. A 19191-001	
SHEET 1 OF 1	REV 1
SCALE: 4:1	