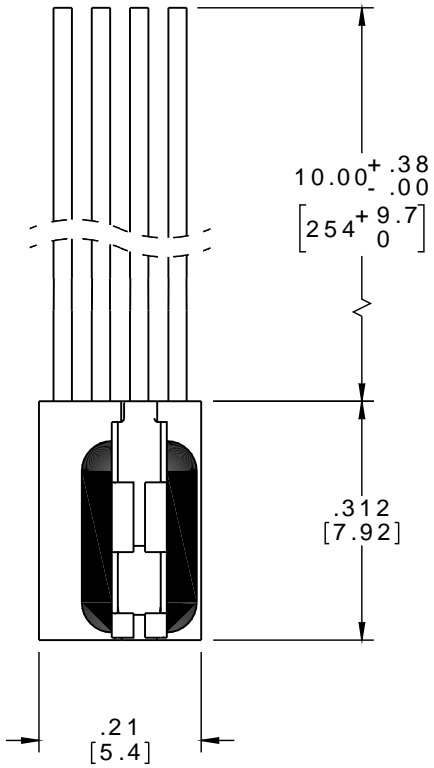
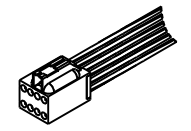


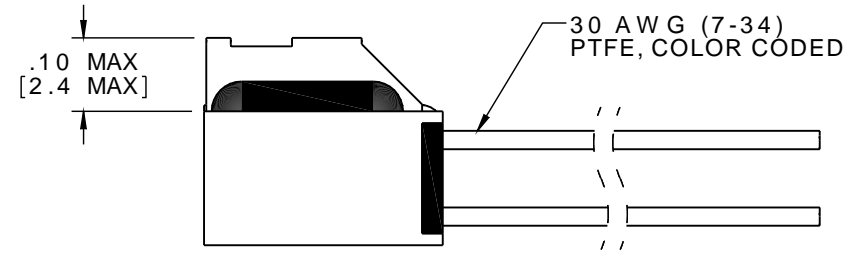
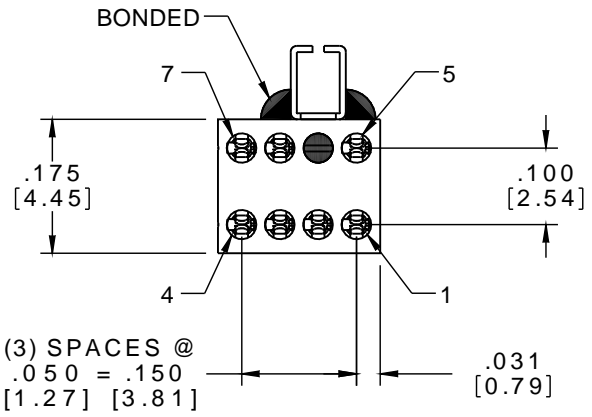
PART NO.	A 110189-001	REV	ECO	DATE	APP
		1			



PIN #	COLOR
1	BLACK
2	BROWN
3	RED
4	ORANGE
5	YELLOW
6	GREEN
7	BLUE



ACTUAL SIZE
EXCLUDING
WIRE LENGTH



Drawing Approval

Date

REF: RAFAEL

NOTE:

DIMENSIONS IN [] ARE IN MILLIMETERS UNLESS OTHERWISE NOTED AND ARE FOR REFERENCE ONLY

DRP SLDW	THIRD ANGLE	THIS DRAWING CONTAINS CONFIDENTIAL AND PROPRIETARY INFORMATION WHICH IS THE PROPERTY OF OMNETICS CONNECTOR CORPORATION. THIS DOCUMENT MAY NOT, IN WHOLE OR IN PART, BE DUPLICATED, OR DISCLOSED FOR ANY PURPOSE, WITHOUT WRITTEN PERMISSION FROM OMNETICS CONNECTOR CORP.		OMNETICS CONNECTOR CORPORATION 7260 COMMERCE CIRCLE EAST MINNEAPOLIS, MN 55432 WWW.OMNETICS.COM	CAGE CODE 61873		
	-TOLERANCES- UNLESS OTHERWISE NOTED DIMENSIONS IN INCHES	DFTM. EDG	DATE 07-10-17		TITLE:	DWG NO. A 110189-001	
	2 PL DEC ± .01	CHK'D.	DATE		(7) PIN MALE	SHEET 1 OF 1	
	3 PL DEC ± .005	APP'D.	DATE		DUAL ROW	REV	1
					SCALE: 4:1		