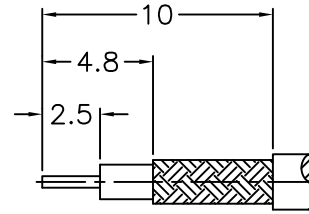
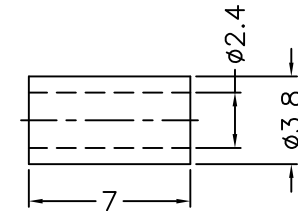
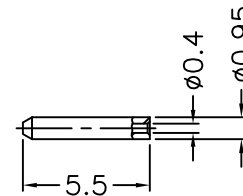
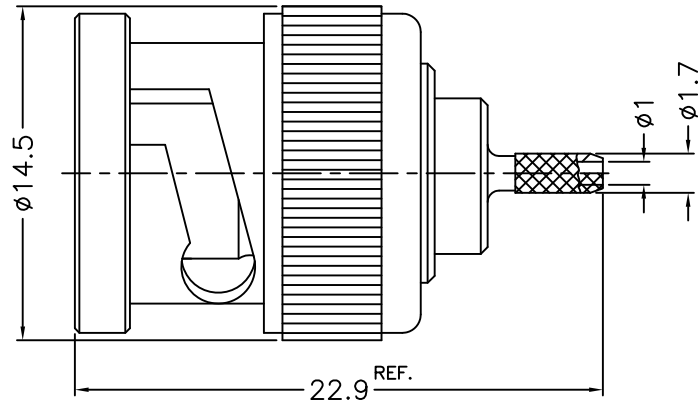


1		2		3		4		5		6		7		8	
REVISIONS															
ISS	ZONE	DESCRIPTION\PER REQUEST\DATE													



RECOMMENDED
CABLE STRIPPING DIM'S
(建議剝線尺寸)



NOTES: FINISH (PLATING THICKNESS IN MICRO-INCHES)

1. BRASS
2. NICKEL PL. 100 MIN. THICK OVER COPPER PL. 50 MIN. THICK
3. GOLD PL. 3 MIN. THICK OVER NICKEL PL. 50 MIN. THICK OVER COPPER PL. 50 MIN. THICK
4. PHOSPHOR BRONZE
5. PTFE

1. CRIMPED FERRULE
HEX CRIMP SIZE .128"
2. CRIMPED CONTACT PIN
SQ. CRIMP SIZE 0.7mm

RoHS COMPLIANT

10	FERRULE	COPPER	NOTE 2		
9	CONTACT PIN	NOTE 1	NOTE 3		
8	WASHER	NOTE 1	NOTE 2		
7	SPRING	SK5	NOTE 2		
6	RETAINER RING	NOTE 1	NOTE 2		
5	GASKET	SILICONE	RED		
4	CONTACT PIN	NOTE 4	NOTE 3		
3	INSULATOR	NOTE 5	NATURAL		
2	BODY	NOTE 1	NOTE 2		
1	SHELL	NOTE 1	NOTE 2		
NO.	DESCRIPTION	MATERIAL	FINISH	Q'TY	DRAWING NO.

DIMENSIONS ARE IN MILLIMETERS			
UNLESS OTHERWISE SPECIFIED TOLERANCES			
0.5-6	=	±0.2	
6-30	=	±0.4	
30-120	=	±0.6	
120-315	=	±1	
315-1000	=	±1.6	
1000-2000	=	±2.4	
SCALE	3/1	ISSUE	A

PART NO.		
APPROVED	DATE	07-15-'19
CHECKED	DATE	07-15-'19
DRAWN	DATE	07-15-'19

G.L.I.	
TITLE	BNC CRIMP PLUG (FOR RG-178, 196 CABLE)
DRAWING NO.	900-1121G1-01-50
FILE NO.	R:\D\G\DWG\900\1121G1\01\50

1		2		3		4		5		6		7		8	
---	--	---	--	---	--	---	--	---	--	---	--	---	--	---	--