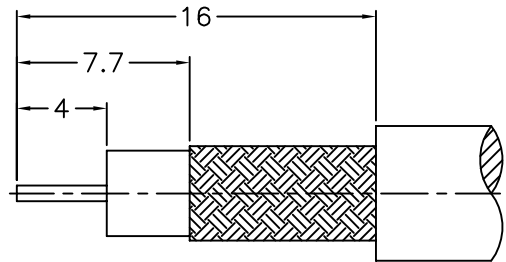
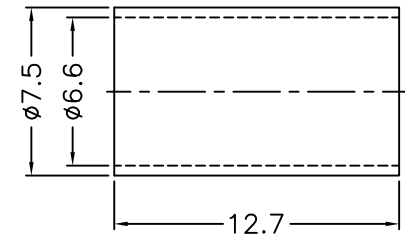
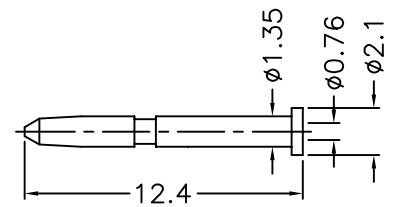
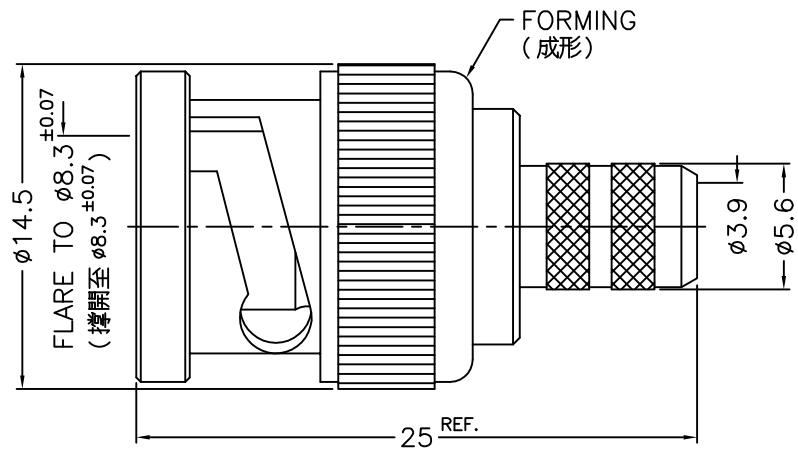


1 2 3 4 5 6 7 8

REVISIONS		
ISS	ZONE	DESCRIPTION\APPROVED\DATE



RECOMMENDED  
CABLE STRIPPING DIM'S  
(建議剝線尺寸)



NOTES: FINISH (PLATING THICKNESS IN MICRO-INCHES)  
 1. BRASS  
 2. NICKEL PL. 100 MIN. OVER COPPER PL. 50 MIN.  
 3. GOLD PL. 3 MIN. OVER NICKEL PL. 50 MIN. OVER COPPER PL. 50 MIN.  
 4. TEFLON

1. CRIMPED FERRULE  
 HEX CRIMP SIZE .255"  
 2. CRIMPED CONTACT PIN  
 HEX CRIMP SIZE .043"

9	FERRULE	NOTE 1	NOTE 2	1	FR-66-75-127
8	CONTACT PIN	NOTE 1	NOTE 3	1	900-1000-8-75C0.76
7	WASHER	NOTE 1	NOTE 2	1	WS-90-128-08
6	SPRING	SK5	NOTE 2	1	900-1000-6
5	RETAINER RING	NOTE 1	NOTE 2	1	900-1000-5
4	GASKET	RUBBER	RED	1	GS-80-115-15
3	INSULATOR	NOTE 4	NATURAL	1	900-1000-3-75
2	BODY	NOTE 1	NOTE 2	1	900-1000-2-10
1	SHELL	NOTE 1	NOTE 2	1	900-1000-1
NO.	DESCRIPTION	MATERIAL	FINISH	Q'TY	DRAWING NO.

DIMENSIONS ARE IN MILLIMETERS  
 UNLESS OTHERWISE SPECIFIED TOLERANCES  
 0.5-6 = ±0.2  
 6-30 = ±0.4  
 30-120 = ±0.6  
 120-315 = ±1  
 315-1000 = ±1.6  
 1000-2000 = ±2.4

PART NO.	
APPROVED	DATE 06-10-'10
CHECKED	DATE 06-10-'10
DRAWN	DATE 06-10-'10

<b>G.L.I.</b>	
TITLE	BNC CRIMP PLUG (FOR 8241, RG-59/U CABLE)
DRAWING NO.	900-1121A9-10-75
FILE NO.	R:\D\G\DWG\900\1121A9\10\75

1 2 3 4 5 6 7 8