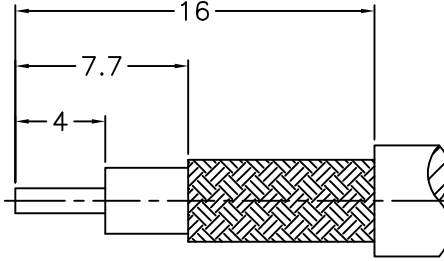
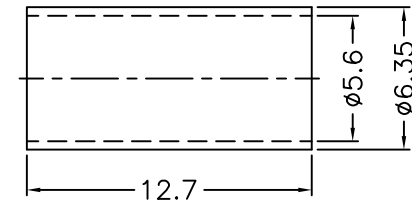
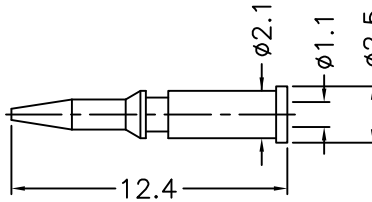
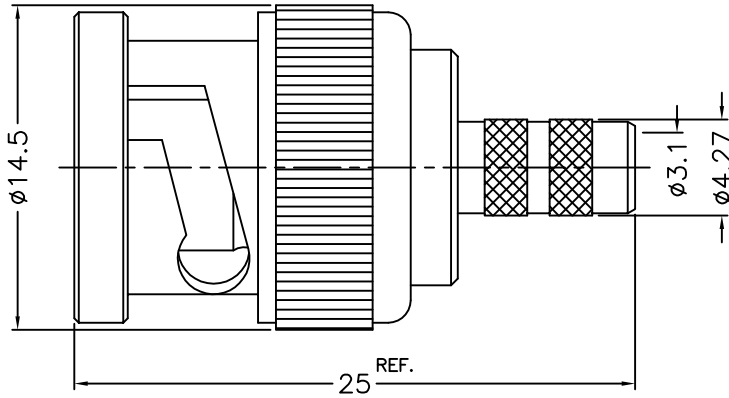


1 2 3 4 5 6 7 8

REVISIONS		
ISS	ZONE	DESCRIPTION\PER REQUEST\DATE



RECOMMENDED
CABLE STRIPPING DIM'S
(建議剝線尺寸)



NOTES: FINISH (PLATING THICKNESS IN MICRO-INCHES)

1. BRASS
2. NICKEL PL. 100 MIN. THICK OVER COPPER PL. 50 MIN. THICK
3. GOLD PL. 3 MIN. THICK OVER NICKEL PL. 50 MIN. THICK OVER COPPER PL. 50 MIN. THICK
4. DELRIN

1. CRIMPED FERRULE
HEX CRIMP SIZE .213"
2. CRIMPED CONTACT PIN
HEX CRIMP SIZE .068"

9	FERRULE	NOTE 1	NOTE 2	1	FR-56-635-127
8	CONTACT PIN	NOTE 1	NOTE 3	1	900-1121A1-8-1.1
7	WASHER	NOTE 1	NOTE 2	1	WS-90-128-08
6	SPRING	SK5	NOTE 2	1	900-1000-6
5	RETAINER RING	NOTE 1	NOTE 2	1	900-1000-5
4	GASKET	RUBBER	RED	1	GS-80-115-15
3	INSULATOR	NOTE 4	NATURAL	1	900-1000-3-50D
2	BODY	NOTE 1	NOTE 2	1	900-1000-2-07
1	SHELL	NOTE 1	NOTE 2	1	900-1000-1
NO.	DESCRIPTION	MATERIAL	FINISH	Q'TY	DRAWING NO.

DIMENSIONS ARE IN MILLIMETERS
UNLESS OTHERWISE SPECIFIED TOLERANCES
0.5-6 = ±0.2
6-30 = ±0.4
30-120 = ±0.6
120-315 = ±1
315-1000 = ±1.6
1000-2000 = ±2.4

PART NO.	
APPROVED	DATE 01-16-'13
CHECKED	DATE 01-16-'13
DRAWN	DATE 01-16-'13

G.L.I.	
TITLE BNC CRIMP PLUG (FOR RG-55, 142, 223, 400)	
DRAWING NO. 900-1121A1-07-50D	
FILE NO. R:\D\G\DWG\900\1121A1\07\50D	

1 2 3 4 5 6 7 8