

REVISIONS		
LTR	ECO NUMBER	APPROVED
B	21603	SUDC 8/12/19 G.F. 8/12/19
C	22280	PADM 5/2/13

ORDER NUMBER	SHELL SIZE	A METRIC THREAD CLASS 6H	ØB MAX	ØC ±.010	ØD MAX	E +.008 -.000
	COM'L. MIL.					
9	9 A	M12 X 1.0	.719	.250	.533	.044
11	11 B	M15 X 1.0	.844	.375	.605	.044
13	13 C	M18 X 1.0	.969	.500	.774	.044
15	15 D	M22 X 1.0	1.094	.625	.838	.044
17	17 E	M25 X 1.0	1.219	.750	.963	.044
19	19 F	M28 X 1.0	1.344	.812	1.042	.044
21	21 G	M31 X 1.0	1.469	.937	1.217	.069
23	23 H	M34 X 1.0	1.594	1.062	1.355	.069
25	25 J	M37 X 1.0	1.719	1.188	1.443	.069

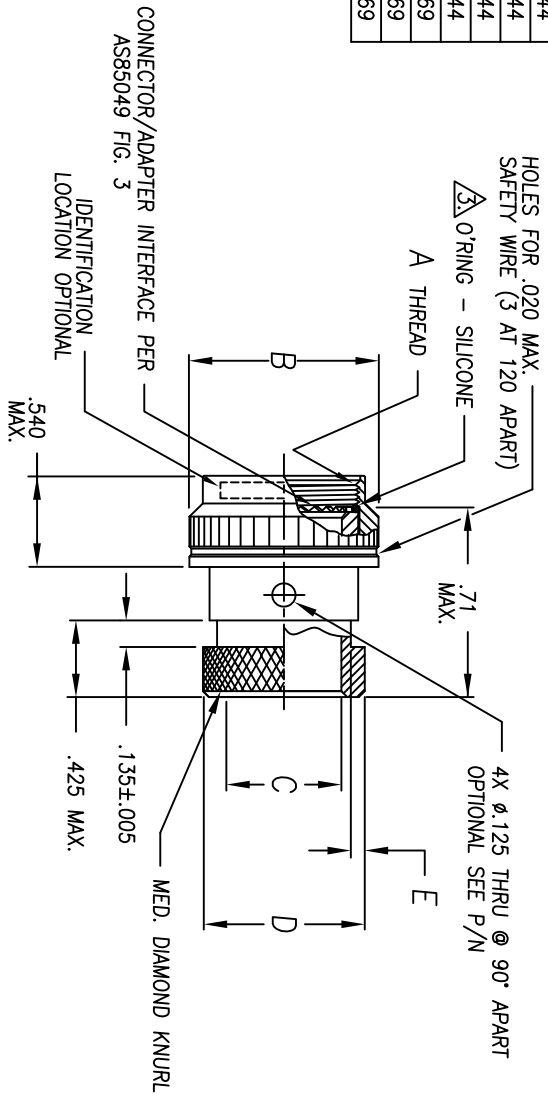
Example Part Number
100-85049/69-11AD

CONNECTOR ORDER NUMBER
 ENTRY ORDER NUMBER FROM TABLE 1,
 PER SHELL SIZE REQUIRED

DRAIN HOLE OPTION
 D - DRAIN HOLES REQUIRED, OMIT 'D' FROM
 PART NO. IF NOT REQUIRED.

PLATING CODE NUMBER

A - ADAPTER COMPONENTS, ALUMINUM ALLOY, PLATED BLACK ANODIZE PER MIL-A-8625, TYPE II, CLASS 2.
 N - ADAPTER COMPONENTS, ALUMINUM ALLOY, PLATED ELECTROLESS NICKEL, PER MIL-C-26074, CLASS 3 OR 4, GRADE A, WITH IRIDIUM CONVERSION.
 W - ADAPTER COMPONENTS, ALUMINUM ALLOY, PLATED CADMIUM OLIVE DRAB PER SAE-AWS-00-P-416, TYPE II, CLASS 3, OVER ELECTROLESS NICKEL, PER MIL-C-26074, CLASS 3 OR 4, GRADE B.



- NOTES: UNLESS OTHERWISE SPECIFIED.
- ASSEMBLY IDENTIFICATION PER MIL-STD-1285.
 - ADAPTERS MEET REQUIREMENTS OF AS85049 CATEGORY 5.
 - NOT SUPPLIED WHEN PART HAS DRAIN HOLES.

The information disclosed herein is the property of, and a proprietary item originated by ELECTRO ADAPTER, INC., who reserves all patent, proprietary design, use, sale, manufacturing and reproduction rights therein, except for uses expressly granted to the United States Government and items which are vendor parts; disclosure shall not be made without written consent from ELECTRO ADAPTER, INC.

UNLESS OTHERWISE SPECIFIED DIMENSIONS ARE IN INCHES

TOLERANCES: ANGLES xx' = ± .06
 xxx = ± .031

DO NOT SCALE DRAWING

DRAWN A.T.PENA	DATE 7/31/06	<p>ELECTRO ADAPTER, INC. CHATSWORTH, CA. 91311-6189</p>
CHKD G.FISH	DATE 4/3/81	
APVD C.FOWLER	DATE 4/6/81	DRAWING TITLE ADAPTER, SHRINK BOOT SPIN COUPLING FOR MIL-DTL-38999 SERIES III & IV CONNECTORS
C.FOWLER RELEASED	DATE 4/6/81	SIZE A GAGE CODE 31461 SCALE: NONE 0\SALES\100\85049-69
		SHEET 1 OF 1 REV. C