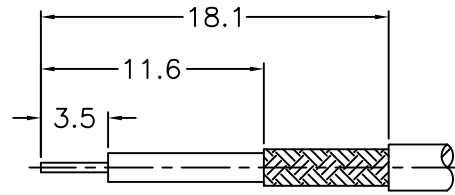
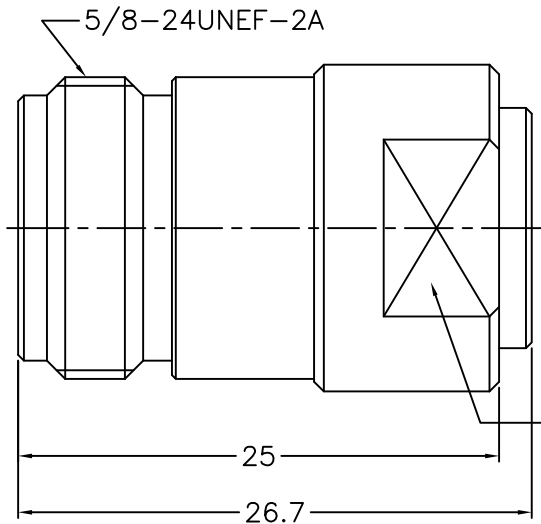


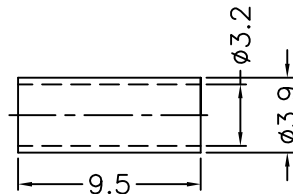
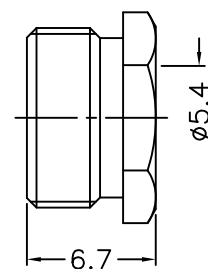
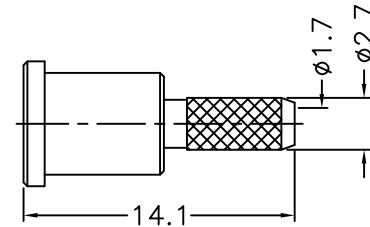
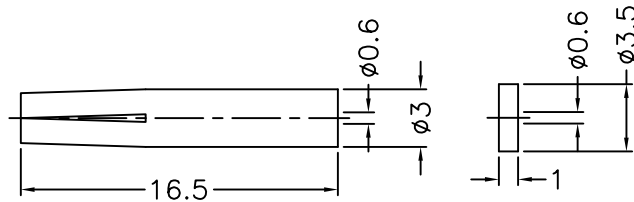
1		2		3		4		5		6		7		8	
REVISIONS															
ISS	ZONE	DESCRIPTION\PER REQUEST\DATE													



RECOMMENDED  
CABLE STRIPPING DIM'S  
(建議剝線尺寸)



14.3 ON FLATS  
(兩平面寬 14.3)



NOTES: FINISH (PLATING THICKNESS IN MICRO-INCHES)

1. BRASS
2. NICKEL PL. 100 MIN. THICK OVER COPPER PL. 50 MIN. THICK
3. PHOSPHOR BRONZE
4. GOLD PL. 3 MIN. THICK OVER NICKEL PL. 50 MIN. THICK OVER COPPER PL. 50 MIN. THICK
5. TEFLON

1. CRIMPED FERRULE  
HEX. CRIMP SIZE .128"
2. CRIMPED CONTACT PIN,  
HEX. CRIMP SIZE .100"

8	FERRULE	NOTE 1	NOTE 2	1	FR-32-39-95
7	HEX NUT	NOTE 1	NOTE 2	1	HN-95-3832-54-67
6	BARREL	NOTE 1	NOTE 2	1	5824-6121G1-6-02
5	INSULATOR	NOTE 5	NATURAL	1	5824-6481A1-5T
4	CONTACT PIN	NOTE 3	NOTE 4	1	5824-6481A1-4-0.6
3	INNER BODY	NOTE 1	NOTE 2	1	5824-6481A1-3
2	INSULATOR	NOTE 5	NATURAL	1	5824-6481A1-2-50T
1	OUTER BODY	NOTE 1	NOTE 2	1	5824-6121G1-1
NO.	DESCRIPTION	MATERIAL	FINISH	Q'TY	DRAWING NO.

DIMENSIONS ARE IN MILLIMETERS			
UNLESS OTHERWISE SPECIFIED TOLERANCES			
0.5-6	=	±0.2	
6-30	=	±0.4	
30-120	=	±0.6	
120-315	=	±1	
315-1000	=	±1.6	
1000-2000	=	±2.4	
SCALE	2.5/1	ISSUE	A

PART NO.		DATE	
APPROVED		04-12-'13	
CHECKED		04-12-'13	
DRAWN	ANGELA	04-12-'13	

<b>G.L.I.</b>	
TITLE N CRIMP JACK (FOR RG-174, 188A, 316, LMR100)	
DRAWING NO. 5824-6121G1-02-50	
FILE NO. R:\D\G\DWG\5824\6121G1\02\50	

1		2		3		4		5		6		7		8	
---	--	---	--	---	--	---	--	---	--	---	--	---	--	---	--