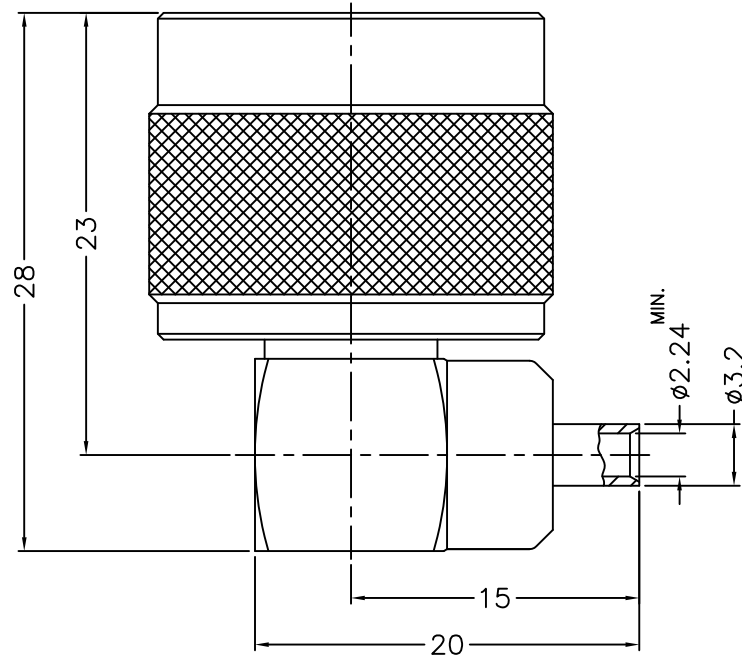
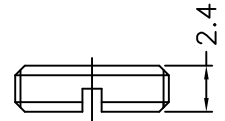


1			2			3			4			5			6			7			8		
REVISIONS																							
ISS	ZONE	DESCRIPTION\PER REQUEST\DATE																					



RECOMMENDED
CABLE STRIPPING DIM'S
(建議剝線尺寸)

- NOTES: FINISH (PLATING THICKNESS IN MICRO-INCHES)
1. BRASS
 2. NICKEL PL. 100 MIN. THICK OVER COPPER PL. 50 MIN. THICK
 3. GOLD PL. 3 MIN. THICK OVER NICKEL PL. 50 MIN. THICK OVER COPPER PL. 50 MIN. THICK
 4. PTFE
 5. PASSIVATED



RoHS COMPLIANT

10	NUT	NOTE 1	NOTE 2		
9	BARREL	NOTE 1	NOTE 3		
8	HOUSING	NOTE 1	NOTE 2		
7	CONTACT PIN	NOTE 1	NOTE 3		
6	RETAINER RING	SUS 304	NOTE 5		
5	GASKET	SILICONE	RED		
4	CONTACT BODY	NOTE 1	NOTE 2		
3	INSULATOR	NOTE 4	NATURAL		
2	BODY	NOTE 1	NOTE 2		
1	SHELL	NOTE 1	NOTE 2		
NO.	DESCRIPTION	MATERIAL	FINISH	Q'TY	DRAWING NO.

DIMENSIONS ARE IN MILLIMETERS			
UNLESS OTHERWISE SPECIFIED TOLERANCES			
0.5-6	=	±0.2	
6-30	=	±0.4	
30-120	=	±0.6	
120-315	=	±1	
315-1000	=	±1.6	
1000-2000	=	±2.4	
SCALE	2.5/1	ISSUE	A

PART NO.	
APPROVED	DATE 12-24-'19
CHECKED	DATE 12-24-'19
DRAWN	DATE 12-24-'19

G.L.I.	
TITLE N R/A DIRECT SOLDER PLUG (FOR .085, .086 SEMI-RIGID, RG-405/U)	
DRAWING NO. 5824-1182A2-28-50	
FILE NO. R:\D\DWG\5824\1182A2\28\50	

1			2			3			4			5			6			7			8		
---	--	--	---	--	--	---	--	--	---	--	--	---	--	--	---	--	--	---	--	--	---	--	--