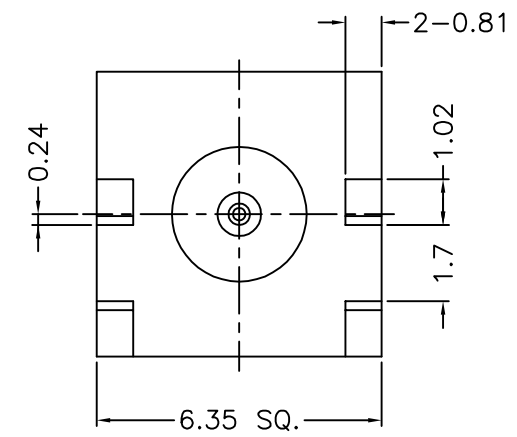
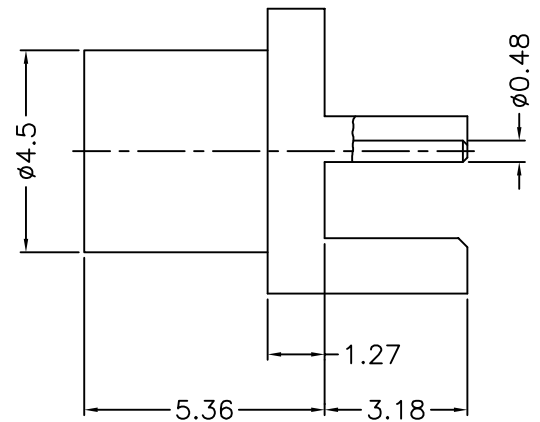
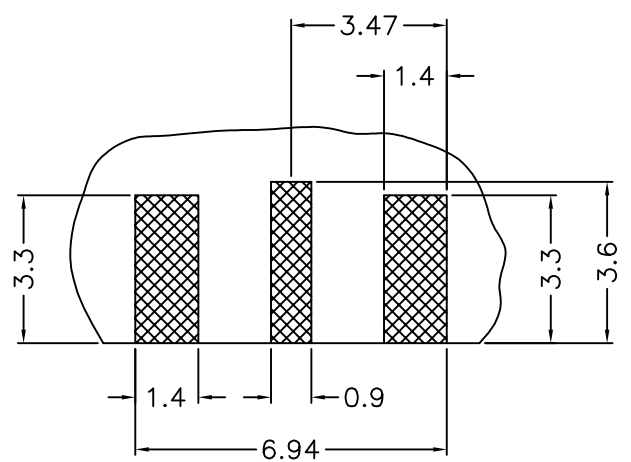


1 2 3 4 5 6 7 8

REVISIONS		
ISS	ZONE	DESCRIPTION\PER REQUEST\DATE

F F

E



E

D

D

C

C

PCB MOUNTING HOLE
(印刷电路板架設孔)

- NOTES: FINISH (PLATING THICKNESS IN MICRO-INCHES)
1. BRASS
 2. THIN GOLD OVER NICKEL PL. 50 MIN. THICK OVER COPPER PL. 50 MIN. THICK
 3. BERYLLIUM COPPER
 4. GOLD PL. 3 MIN. THICK OVER NICKEL PL. 50 MIN. THICK OVER COPPER PL. 50 MIN. THICK
 5. TEFLON

RoHS COMPLIANT

B

B

A

A

DIMENSIONS ARE IN MILLIMETERS				PART NO.		G.L.I.	
UNLESS OTHERWISE SPECIFIED TOLERANCES				APPROVED			
0.5-6 = ±0.2				DATE		MCX END LAUNCH JACK RECEPT.	
6-30 = ±0.4				DATE		DRAWING NO.	
30-120 = ±0.6				DATE		400-6251S8-50	
120-315 = ±1				DATE		FILE NO. R:\D\G\DWG\400\6251S8\50	
315-1000 = ±1.6				DATE			
1000-2000 = ±2.4				DATE			
				DRAWN			
				ANGELA			
				DATE			
				05-29-'14			

NO.	DESCRIPTION	MATERIAL	FINISH	Q'TY	DRAWING NO.
3	CONTACT PIN	NOTE 3	NOTE 4	1	400-6251S8-3
2	INSULATOR	NOTE 5	NATURAL	1	400-6251S8-2 -50T
1	BODY	NOTE 1	NOTE 2	1	400-6251S8-1

1 2 3 4 5 6 7 8