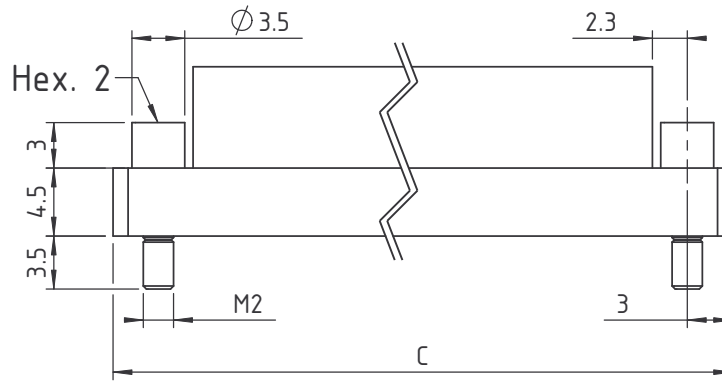
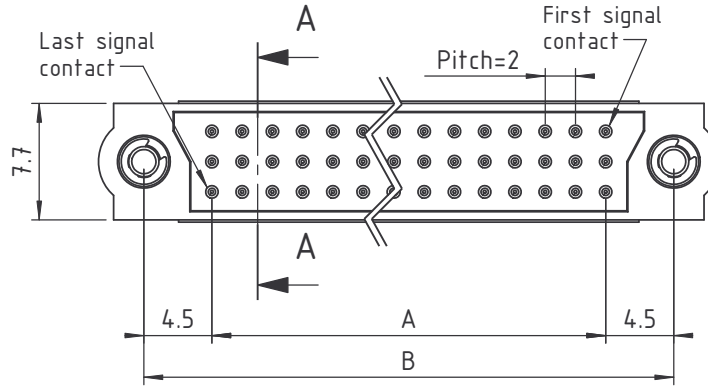
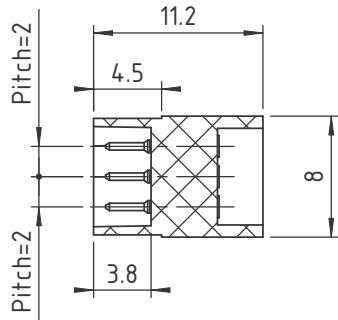
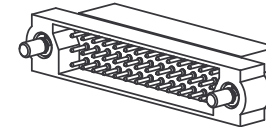
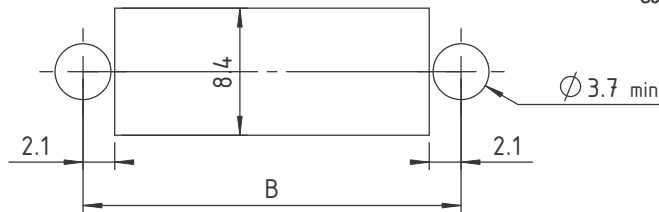


COUPE A-A



Recommended PCB layout



TECHNICALS FEATURES

MATERIAL

- INSULATOR :** Special PPS (Polyphenylene Sulfide Fibreglass filled thermoplastic) UL 94-V0
- Radiation resistance
  - No humidity absorption
  - Oxygen free

Remark : PPS characteristics are recognized for space applications

CRIMPING SIGNAL CONTACTS :

- Male :**  
Copper alloy / gold

FIXING HARDWARE :

- Jackscrew : Stainless steel

ELECTRICAL for Signal Contacts

- All contacts: 3 A max. @ 25°C  
2.2 A max. @ 85°C
- Working voltage (sea level): Tested at 800 V DC
- Proof voltage: Tested at 1200 V DC
- Contact resistance (initially): max. 10 mΩ
- Insulation resistance: 1000 MΩ min

MECHANICAL for Signal Contacts

- Mechanical operations: 500 cycles min.
- Contact insertion and withdrawal force: 2 N max. / 0.2 N min. per contact
- Contact retention in insulator: 10 N min.
- Contact replacement in insulator: 3 cycles

ENVIRONMENTAL

- Temperature range: From -60°C to +250°C **Complies with SMT technology**
- Vibration severity: 0.75mm, 10 g RMS 6 hours long random with superimposed sinusoid. No intermitencies measured when using an H.S.L.I. (High Speed Logic Interrupt) detector with a trip threshold of 2 ns.
- Shock severity: 100g for 6 ms
- Solvent resistance: HcFc 141 bMGX (ATOCHEM) solvent

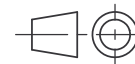
CONNECTOR SERIE 320 MALE									
Number of LF contacts	Distance between the axles in mm		Lenght in mm	Signal contacts reference mark number					
	A	B		D	E	F	G	H	J
6	2	11	17	1	2	3	4	5	6
9	4	13	19	1	3	4	6	7	9
12	6	15	21	1	4	5	8	9	12
15	8	17	23	1	5	6	10	11	15
18	10	19	25	1	6	7	12	13	18
21	12	21	27	1	7	8	14	15	21
24	14	23	29	1	8	9	16	17	24
27	16	25	31	1	9	10	18	19	27
30	18	27	33	1	10	11	20	21	30
33	20	29	35	1	11	12	22	23	33
36	22	31	37	1	12	13	24	25	36
39	24	33	39	1	13	14	26	27	39
42	26	35	41	1	14	15	28	29	42
45	28	37	43	1	15	16	30	31	45
48	30	39	45	1	16	17	32	33	48
51	32	41	47	1	17	18	34	35	51
54	34	43	49	1	18	19	36	37	54
57	36	45	51	1	19	20	38	39	57
60	38	47	53	1	20	21	40	41	60
63	40	49	55	1	21	22	42	43	63
66	42	51	57	1	22	23	44	45	66
69	44	53	59	1	23	24	46	47	69
72	46	55	61	1	24	25	48	49	72
75	48	57	63	1	25	26	50	51	75
78	50	59	65	1	26	27	52	53	78
81	52	61	67	1	27	28	54	55	81
84	54	63	69	1	28	29	56	57	84
87	56	65	71	1	29	30	58	59	87
90	58	67	73	1	30	31	60	61	90
93	60	69	75	1	31	32	62	63	93
96	62	71	77	1	32	33	64	65	96
99	64	73	79	1	33	34	66	67	99
102	66	75	81	1	34	35	68	69	102
105	68	77	83	1	35	36	70	71	105
108	70	79	85	1	36	37	72	73	108
111	72	81	87	1	37	38	74	75	111
114	74	83	89	1	38	39	76	77	114
117	76	85	91	1	39	40	78	79	117
120	78	87	93	1	40	41	80	81	120

Ce plan est la propriété exclusive de la société NICOMATIC. Il ne peut être reproduit sans son autorisation. Loi du 11.03.1902.

This document and drawings, sketches, and schematic drawings are the property of the NICOMATIC company, and no parts thereof may be reproduced and used without the written consent of the owner. Law dated 11.03.1902



Z.I. Les Bracots  
F-74890 Bons-en-Chablais  
Tel. : +33 (0)4.50.36.13.85  
Fax : +33 (0)4.50.36.11.33



Echelle/Scale  
2:1

Repertoire / Folder : \321CnnH01

Réf. catalogue /  
Catalogue Reference 321CnnH01

a	09/11/07	H.L.		D.Z.
Ind	Date	Drawn	Checked	Approved
Désignation :		Connecteur CMM 320 Mâle à sertir jauge 22, fixation H01		
Designation :		Connector CMM 320 Male crimp awg 22, fixing H01		

Tolérance générale / General tolerance	±0.1	Page 1/1	A4
---	------	-------------	----