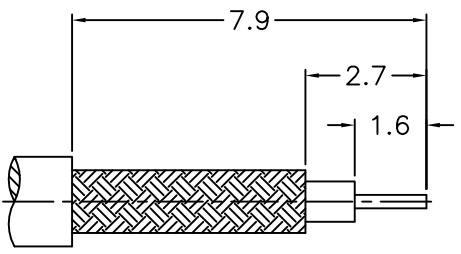
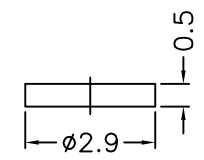
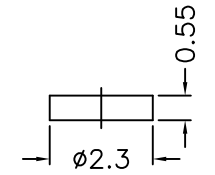
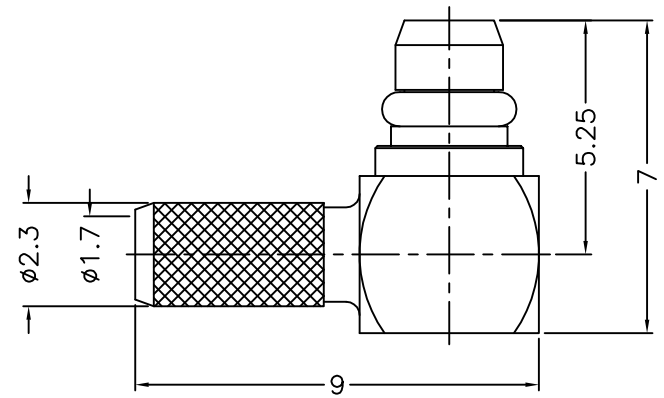
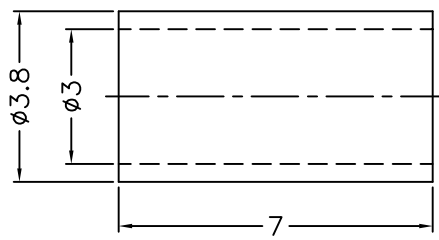


1 2 3 4 5 6 7 8

REVISIONS		
ISS	ZONE	DESCRIPTION\PER REQUEST\DATE
B	ALL	CHANGED TO MANUFACTURE DRAWING\RD-DM030414003 \04-14-'14



RECOMMENDED
CABLE STRIPPING DIM'S
(建議剝線尺寸)



1. CRIMPED FERRULE
HEX CRIMP SIZE .128"
2. CONTACT PIN TO SOLDER

- NOTES: FINISH (PLATING THICKNESS IN MICRO-INCHES)
1. BRASS
 2. THIN GOLD OVER NICKEL PL. 50 MIN. THICK OVER COPPER PL. 50 MIN. THICK
 3. BERYLLIUM COPPER
 4. GOLD PL. 3 MIN. THICK OVER NICKEL PL. 50 MIN. THICK OVER COPPER PL. 50 MIN. THICK
 5. TEFLON

7	FERRULE	COPPER	NOTE 2	1	FR-30-38-70C
6	COVER		NOTE 1	NOTE 2	1 CV-29-05
5	INSULATOR		NOTE 5	NATURAL	1 200-1182A1-5T
4	RETAINER RING		NOTE 3	NOTE 2	1 200-1000-5
3	CONTACT PIN		NOTE 1	NOTE 4	1 200-1182A1-3
2	INSULATOR		NOTE 5	NATURAL	1 200-1182A1-2 -50T
1	BODY		NOTE 1	NOTE 2	1 200-1112A1-1 -02

DIMENSIONS ARE IN MILLIMETERS			
UNLESS OTHERWISE SPECIFIED TOLERANCES			
0.5-6	=	±0.2	
6-30	=	±0.4	
30-120	=	±0.6	
120-315	=	±1	
315-1000	=	±1.6	
1000-2000	=	±2.4	

PART NO.	
APPROVED	DATE 04-14-'14
CHECKED	DATE 04-14-'14
DRAWN	DATE 04-14-'14

G.L.I.	
TITLE	MMCX R/A CRIMP PLUG (FOR RG-174, 188A, 316, LMR100)
DRAWING NO.	200-1112A1-02-50
FILE NO.	R:\D\G\DWG\200\1112A1\02\50

NO.	DESCRIPTION	MATERIAL	FINISH	Q'TY	DRAWING NO.	SCALE	6/1	ISSUE	B
-----	-------------	----------	--------	------	-------------	-------	-----	-------	---

1 2 3 4 5 6 7 8

F

E

D

C

B

A

F

E

D

C

B

A