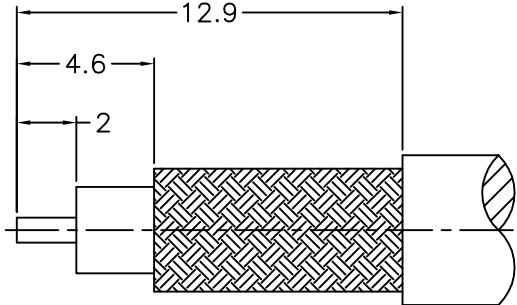
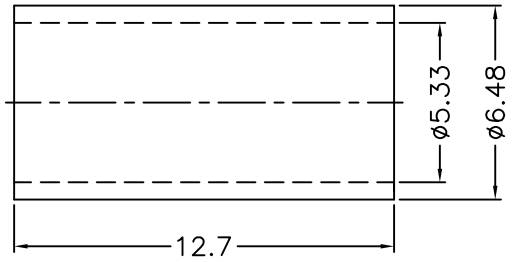
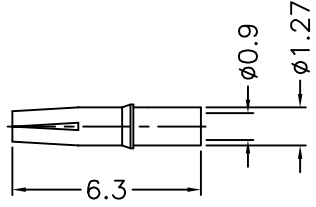
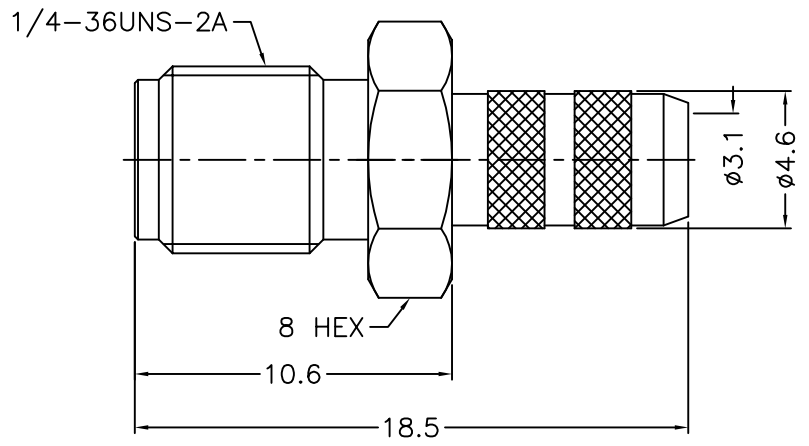


1 2 3 4 5 6 7 8

| REVISIONS | | |
|-----------|------|------------------------------|
| ISS | ZONE | DESCRIPTION\PER REQUEST\DATE |
| | | |



RECOMMENDED
CABLE STRIPPING DIM'S
(建議剝線尺寸)



- NOTES: FINISH (PLATING THICKNESS IN MICRO-INCHES)
- BRASS
 - THIN GOLD OVER NICKEL PL. 50 MIN. THICK OVER COPPER PL. 50 MIN. THICK
 - BERYLLIUM COPPER
 - GOLD PL. 3 MIN. THICK OVER NICKEL PL. 50 MIN. THICK OVER COPPER PL. 50 MIN. THICK
 - TEFLON

1. CRIMPED FERRULE
HEX CRIMP SIZE .213"

| DIMENSIONS ARE IN MILLIMETERS | | | | | | PART NO. | | G.L.I. | | | |
|---------------------------------------|-------------|----------|---------|------|-----------------------|----------|-----|------------------------------|---|-----------------------------|--|
| UNLESS OTHERWISE SPECIFIED TOLERANCES | | | | | | APPROVED | | | | TITLE | |
| 0.5-6 = ±0.2 | | | | | | DATE | | | | SMA CRIMP JACK | |
| 6-30 = ±0.4 | | | | | | DATE | | | | (FOR RG-58, 58A, 141 CABLE) | |
| 30-120 = ±0.6 | | | | | | CHECKED | | DRAWING NO. | | | |
| 120-315 = ±1 | | | | | | DATE | | 1436-6111A3-06-50 | | | |
| 315-1000 = ±1.6 | | | | | | DRAWN | | FILE NO. | | | |
| 1000-2000 = ±2.4 | | | | | | DATE | | R:\D\G\DWG\1436\6111A3\06\50 | | | |
| NO. | DESCRIPTION | MATERIAL | FINISH | Q'TY | DRAWING NO. | SCALE | 4/1 | ISSUE | A | | |
| 4 | FERRULE | COPPER | NOTE 2 | 1 | FR-533-648-127C | | | | | | |
| 3 | CONTACT PIN | NOTE 3 | NOTE 4 | 1 | 1436-6111A3-3 -0.9 | | | | | | |
| 2 | INSULATOR | NOTE 5 | NATURAL | 1 | 1436-6111A3-2 -50T | | | | | | |
| 1 | BODY | NOTE 1 | NOTE 2 | 1 | 1436-6111A3-1 -06 | | | | | | |

1 2 3 4 5 6 7 8

F
E
D
C
B
A

F
E
D
C
B
A