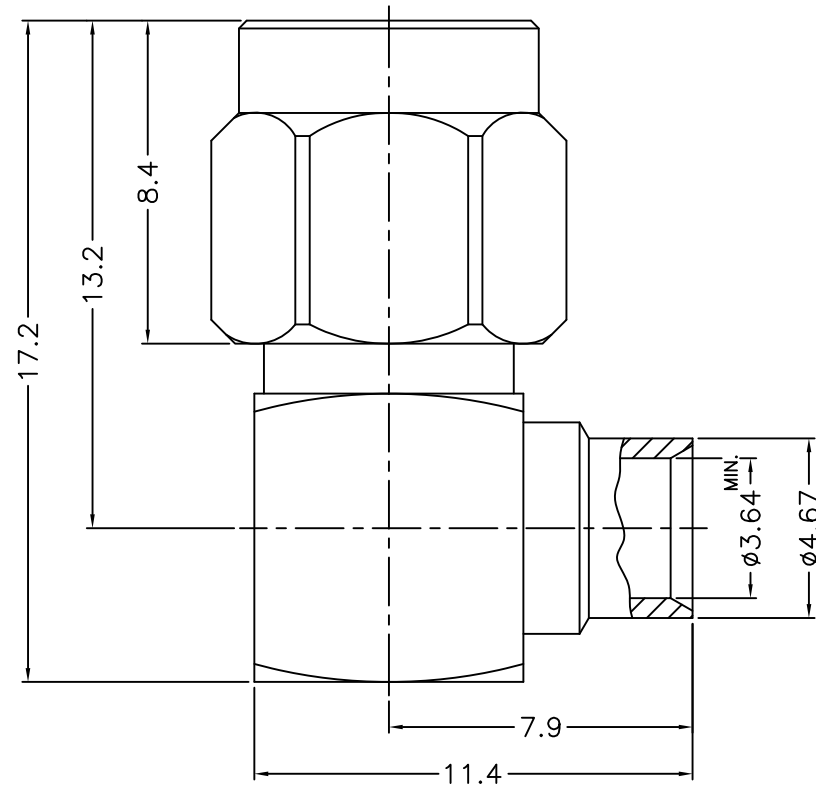
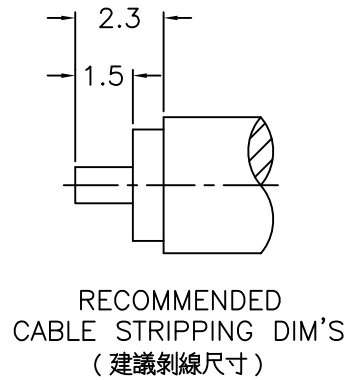


1	2		3	4	5	6	7	8
REVISIONS								
ISS	ZONE	DESCRIPTION\PER REQUEST\DATE						



RoHS COMPLIANT

NOTES: FINISH (PLATING THICKNESS IN MICRO-INCHES)

1. BRASS
2. THIN GOLD OVER NICKEL PL. 50 MIN. THICK OVER COPPER PL. 50 MIN. THICK
3. GOLD PL. 3 MIN. THICK OVER NICKEL PL. 50 MIN. THICK OVER COPPER PL. 50 MIN. THICK
4. PTFE
5. PASSIVATED

7		COVER	NOTE 1	NOTE 2	DIMENSIONS ARE IN MILLIMETERS				PART NO.		G.L.I.			
6		GASKET	SILICONE	RED	UNLESS OTHERWISE SPECIFIED TOLERANCES 0.5-6 = ±0.2 6-30 = ±0.4 30-120 = ±0.6 120-315 = ±1 315-1000 = ±1.6 1000-2000 = ±2.4				APPROVED				DATE 07-11-'19	
5		RETAINER RING	SUS 304	NOTE 5					CHECKED		DATE 07-11-'19		DRAWING NO. 1436-1182D2-29-50	
4		CONTACT PIN	NOTE 1	NOTE 3					DRAWN		DATE 07-11-'19		FILE NO. R:\D\G\DWG\1436\1182D2\29\50	
3		INSULATOR	NOTE 4	NATURAL					SCALE		5/1 ISSUE 1			
2		BODY	NOTE 1	NOTE 2										
1		SHELL	NOTE 1	NOTE 2										
NO.	DESCRIPTION	MATERIAL	FINISH	Q'TY	DRAWING NO.	SCALE	5/1	ISSUE	1					

1	2		3	4	5	6	7	8
---	---	--	---	---	---	---	---	---