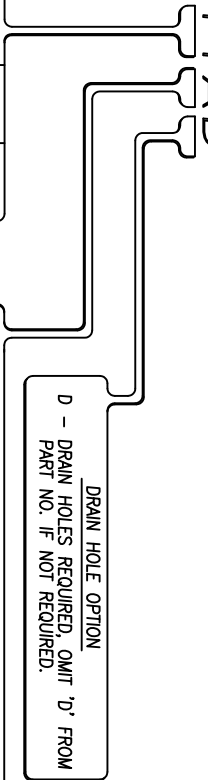


Example Part Number
100-85049/69-11AD



ORDER NUMBER	SHELL SIZE	A METRIC THREAD CLASS 6H	ØB MAX	ØC MIN	ØD MAX	E +.008 - .000
9	9 A	M12 X 1.0	.719	.250	.533	.044
11	11 B	M15 X 1.0	.844	.375	.605	.044
13	13 C	M18 X 1.0	.969	.500	.774	.044
15	15 D	M22 X 1.0	1.094	.625	.838	.044
17	17 E	M25 X 1.0	1.219	.750	.963	.044
19	19 F	M28 X 1.0	1.344	.812	1.042	.044
21	21 G	M31 X 1.0	1.469	.937	1.217	.069
23	23 H	M34 X 1.0	1.594	1.062	1.355	.069
25	25 J	M37 X 1.0	1.719	1.188	1.443	.069

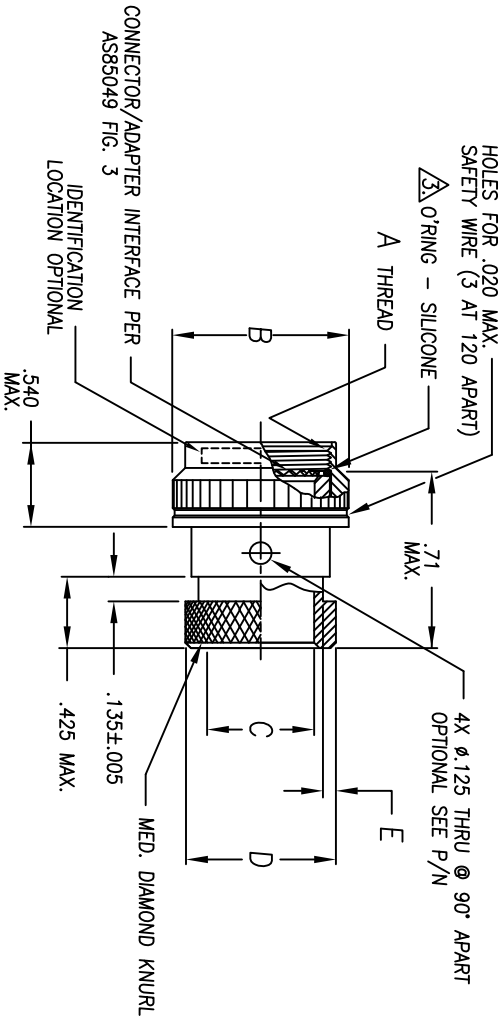
PLATING CODE NUMBER

A - ADAPTER COMPONENTS, ALUMINUM ALLOY, PLATED BLACK ANODIZE PER MIL-A-8625, TYPE II, CLASS 2.

N - ADAPTER COMPONENTS, ALUMINUM ALLOY, PLATED ELECTROLESS NICKEL, PER MIL-C-26074, CLASS 3 OR 4, GRADE A, WITH IRIDITE CONVERSION.

W - ADAPTER COMPONENTS, ALUMINUM ALLOY, PLATED CADMIUM, OLIVE DRAB PER SAF-AMS-QQ-P-416, TYPE II, CLASS 3, OVER ELECTROLESS NICKEL, PER MIL-C-26074, CLASS 3 OR 4, GRADE B.

Z - ZINC NICKEL, BLACK PER ASTM-B-841



- NOTES: UNLESS OTHERWISE SPECIFIED
- IDENTIFICATION PER MIL-STD-1285
 - MATERIAL: ADAPTER - ALUMINUM ALLOY
 HARDWARE - STAINLESS STEEL
 O-RING - SILICONE
 - NOT SUPPLIED WHEN PART HAS DRAIN HOLES
 - FINISH: SEE EXAMPLE PART NUMBER
 - ADAPTERS MEET AND/OR EXCEED REQUIREMENTS OF AS85049 CATEGORY 5

PART NO.		
100-85049/69		
REVISIONS		
LTR	ECO NO.	APPR.
C	22280	5-9-13
D	22506	2-4-15

The information disclosed herein is the property of, and a proprietary item originated by ELECTRO ADAPTER, INC., who reserves all patent, proprietary design, use, sale, manufacturing and reproduction rights related to the United States Government and items which are vendor parts; disclosure shall not be made without written consent from ELECTRO ADAPTER, INC.

UNLESS OTHERWISE SPECIFIED DIMENSIONS ARE IN INCHES
 TOLERANCES: ANGLES XX DEGREES ± Z
 .XX = ± .06
 .XXX = ± .031
 DO NOT SCALE DRAWING

DRAWN	DATE	DATE
UKN	4-3-81	4-3-81
CHKD	DATE	DATE
GF	4-3-81	4-3-81
APVD	DATE	DATE
CF	4-6-81	4-6-81
CF	4-6-81	4-6-81

ELECTRO ADAPTER, INC.
 CHATSWORTH, CA. 91311-6189

DRAWING TITLE
 ADAPTER, STAIGHT SPIN COUPLING SHRINK BOOT
 FOR MIL-DTL-38999 SERIES III & IV
 CONNECTORS

SIZE	CAGE CODE	DRAWING NUMBER	REV.
A	31461	100-85049/69	D
SCALE: NONE		/1/10/85049-69	SHEET 1 OF 1