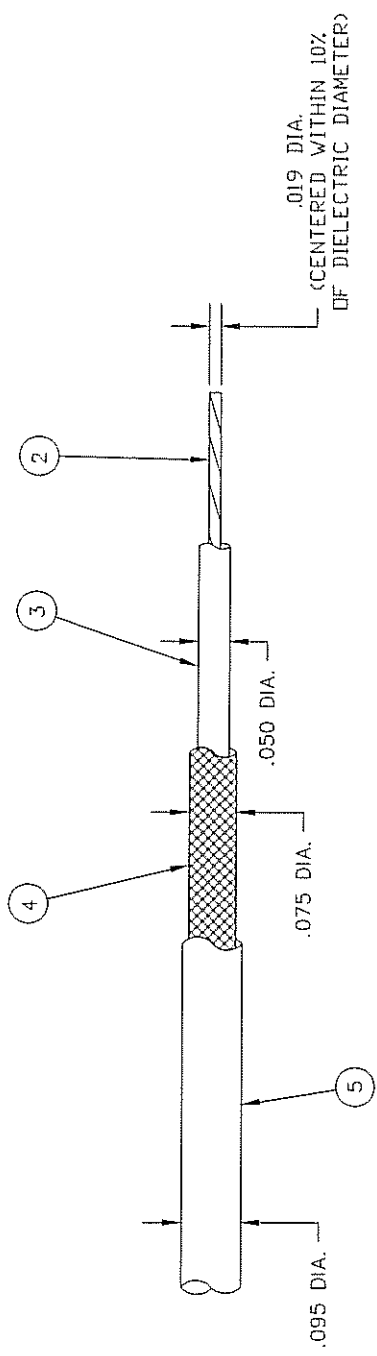


ZONE	LTR	DESCRIPTIONS	DATE	APPROVED



- NOTES (UNLESS OTHERWISE SPECIFIED):
- OPERATING CONDITIONS:  
 VOLTAGE - 18 KVDC  
 MAXIMUM CURRENT - 4 AMPS  
 TEMPERATURE - -55°C TO +125°C  
 CAPACITANCE - 28.0 pF/FT. NOM.  
 IMPEDANCE - 40 ± 5 OHMS  
 INDUCTANCE - .089 NOM. µH/FT.
  - TEST CONDITIONS:  
 VOLTAGE - 25.2 KVDC

FLMEL  
 TEL: 03-9514124  
 FAX: 03-9514166  
 P.O.B 5006 RISHON LEZION

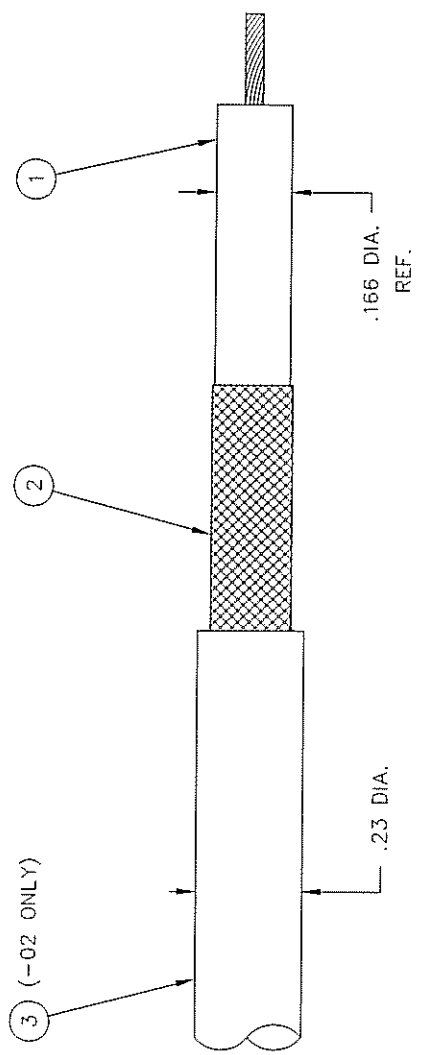
NO. REC'D.	CONTRACT NO.	APPROVALS	DATE	TITLE
		DRAWN D.A.GEORGE	3-22-07	HIGH VOLTAGE COAXIAL CABLE
		CHECKED		

BILL OF MATERIAL	
A/R	5 SOLID, FLUORINATED ETHYLENE PROPYLENE, COLOR - WHITE. MIN. WALL THICKNESS - .009.
A/R	4 16-6-36 SPC BRAID, 90% MIN. COVERAGE
A/R	3 SOLID, FLUORINATED ETHYLENE PROPYLENE, COLOR - CLEAR
A/R	2 25 AWG (19/38) SPC CONDUCTOR
-01	DESCRIPTION

UNLESS OTHERWISE SPECIFIED DIMENSIONS ARE IN INCHES	
FRACTIONS	± .XXX ± .003
DECIMALS	± .005 ± .001
ANGLES	± 1°
MATERIAL SEE BILL OF MATERIAL	
FINISH	10683 USED ON
NEXT ASSY	APPLICATION
DO NOT SCALE DRAWING	

CONNECTOR CORPORATION	
2745 Avondale, Toledo, Oh 43607	
SIZE	CODE IDENT NO
B	ØLE36
SCALE	5X
DRAWING NO. 066-353-01	
SHEET 1 OF 1	

PART NO.	DESCRIPTION	ZONE	LTR	DESCRIPTIONS	DATE	APPROVED
066-195-01	AS SHOWN, LESS JACKET		A	ECO 3052	11-27-01	MJM
066-195-02	AS SHOWN WITH JACKET					



NOTES (UNLESS OTHERWISE SPECIFIED):

- OPERATING CONDITIONS:  
 VOLTAGE - 10 KVDC  
 MAXIMUM CURRENT - 7.5 AMPS  
 ALTITUDE - SEA LEVEL TO 70,000 FT.  
 TEMPERATURE - -55°C TO +125°C  
 TEST CONDITIONS:
- DIELECTRIC WITHSTANDING VOLTAGE - 15 KVDC AT SEA LEVEL/AMBIENT CONDITIONS

ELIMEC  
 TEL: 03-9514122  
 FAX: 03-9514166  
 P.O.B 5006 RISHON LEZION 707

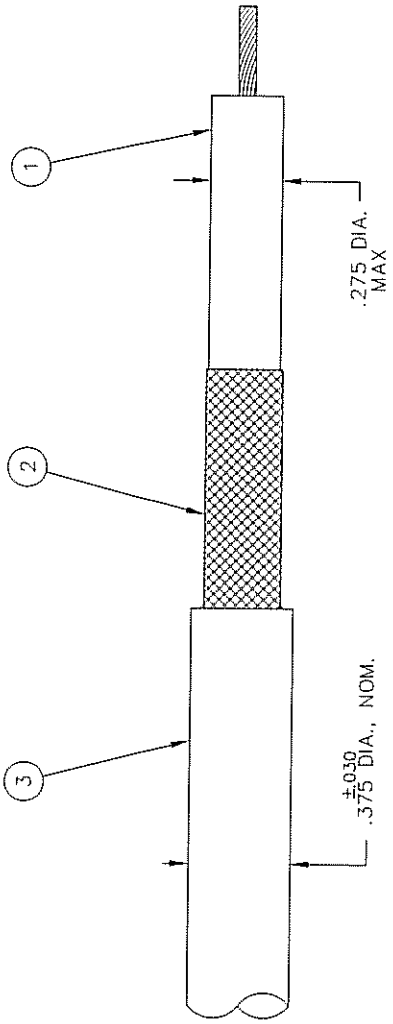
	A/R			025 THK. BLACK PVC JACKET	3
	A/R/A/R	2166 REF.		5 ENDS OF 36 AWG, 24 CARRIERS, SPC TUBULAR BRAIDED SHIELDING, 85% MINIMUM COVERAGE	2
	A/R/A/R	066-022-03		SILICONE INSULATED WIRE #20 AWG (19/32) SPC COND.	1
		-02-01	PART NO.	DESCRIPTION	DET. NO.

CONTRACT NO.		CONNECTRONICS Corp. 2745 Avondale, Toledo, Oh 43607	
APPROVALS		DATE	TITLE
DRAWN	REM	7-28-00	#20 AWG COAXIAL CABLE
CHECKED	DBP	8-16-01	
UNLESS OTHERWISE SPECIFIED ALL DIMENSIONS SHOWN ARE BEFORE PLATE DIMENSIONS		SIZE	CODE IDENT NO
		B	ØLE36
		SCALE	NTS
		DRAWING NO.	066-195-00
		SHEET	1 OF 1

UNLESS OTHERWISE SPECIFIED DIMENSIONS ARE IN INCHES		FRACTIONS		DECIMALS		ANGLES	
±		.XX ± .02		.XXX ± .010		± 1'	
MATERIAL		SEE BILL OF MATERIALS					
FINISH		10439 USED ON					
APPLICATION		DO NOT SCALE DRAWING					



4	3	2	1
ZONE	LTR	DESCRIPTIONS	DATE
A	A	ECO 2450	7-28-00 REM
APPROVED			



NOTES (UNLESS OTHERWISE SPECIFIED):

- OPERATING CONDITIONS:  
 VOLTAGE - 20 KVDC  
 MAXIMUM CURRENT - 28 AMPS  
 ALTITUDE - SEA LEVEL TO 40,000 FT.  
 TEMPERATURE - -40°C TO +85°C  
 TEST CONDITIONS:  
 DIELECTRIC WITHSTANDING VOLTAGE - 30 KVDC FROM CENTER CONDUCTOR TO SHIELD, WITH SHIELD AT GROUND POTENTIAL. TEST TIME 3 MINUTES AT SEA LEVEL/AMBIENT CONDITIONS.

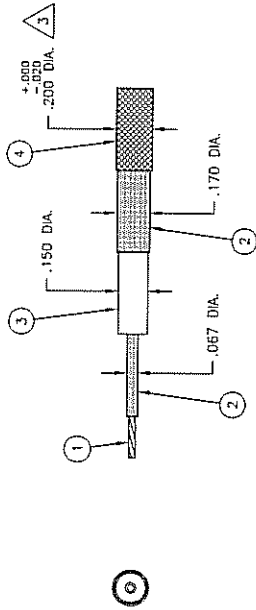
ELIMEC  
 TEL: 03-9514122  
 FAX: 03-9514166  
 P.O.B 5006 RISHON LEZION 7515

	A/R	FIT-105 1/2" BLK	BLACK PVC SHRINK TUBING	3
	A/R	2168	7 ENDS OF 36 AWG, 24 CARRIERS, TPC TUBULAR BRAIDED SHIELDING, 85% MINIMUM COVERAGE	2
	A/R	066-015-04	SILICONE INSULATED WIRE #12 AWG (65/30) TPC COND.	1
	-01	PART NO.	DESCRIPTION	DET. NO.

NO. REQ'D.		BILL OF MATERIAL	
CONTRACT NO.		Connectronics Corp. 2745 Avondale; Toledo, Oh 43607	
APPROVALS	DATE	TITLE	
DRAWN D.B.POTTER	10-25-94	#12 AWG COAXIAL CABLE	
CHECKED AM	1-5-95		
UNLESS OTHERWISE SPECIFIED ALL DIMENSIONS SHOWN ARE BEFORE PLATE DIMENSIONS		SIZE	CODE IDENT NO
		B	ØLE36
DO NOT SCALE DRAWING		SCALE	2X
APPLICATION		DRAWING NO. 066-070-01	
NEXT ASSY	USED ON	SHEET 1 OF 1	



PART NO.	DESCRIPTION
066-001-04	AS SHOWN, NO OUTER SILICONE JACKET



CUSTOMER DRAWING

ZONE	LTR	DESCRIPTIONS	DATE	APPROVED
A	ECC 1058	11-26-91 DBP	11-26-91	A.M.
B	#72 (19/34) WAS #20 (19/32)	4-22-96		D.B.P.
C	ECC 1610	RDRH TO CAD 7-16-96 PJG	7-26-96	D.B.P.
D	ECC 1624	8-13-96 PJG	8-13-96	D.B.P.
E	ECC 3493	10-24-02 PJG	10-24-02	TJS
F	ECC 3624	2-10-03 MJM	2-17-03	TJS
G	ECC 3705	4-29-03 MJM	5-7-03	DBP
H	ECC 3959	11-6-03 MJM	11-6-03	DBP
J	ECC 4692	1-8-07 REH		

ELMEC  
 TEL: 03-9514122  
 FAX: 03-9514166  
 P.O.B 5006 RISHON LEZION 7515

NOTES:

- SEMI-CONDUCTIVE LAYERS SHALL EXHIBIT A SUPERIOR BOND TO THE PRIMARY SILICONE INSULATION.
- DIELECTRIC STRENGTH FROM CENTER CONDUCTOR TO SHIELD: 19 KVDC.
- NO ALLOWANCE IS PERMITTED FOR ANY FRACTION OF AN INCH OVER THIS MAXIMUM DIAMETER.

A/R	NO. REQ'D.	DESCRIPTION	PART NO.	QTY.
A/R	-	6 ENDS OF #34 AWG S.P.C. SHIELD -- 85% MIN. COVERAGE		4
A/R	-	NATURAL / WHIT. EXTRUDED SILICONE RUBBER		3
A/R	-	BLACK, SEMI-CONDUCTIVE SILICONE RUBBER		2
A/R	-	#72 AWG (19/34) SILVER PLATED ALLOY PD135 TENSILEFLEX CONDUCTOR		1
-D4	-D3	-D2	-D1	REF. 35

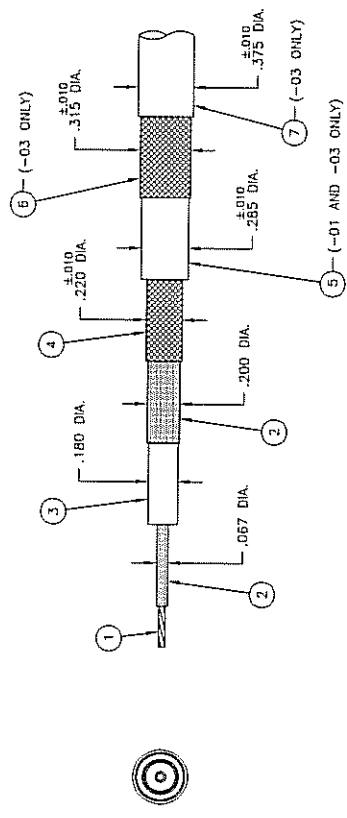
CONTRACT NO.		BILL OF MATERIAL	
APPROVALS		DATE	
DRAWN: D.B.POTTER	11-26-91	TITLE	
CHECKED: A.M.	11-26-91	CABLE	
UNLESS OTHERWISE SPECIFIED ALL DIMENSIONS SHOWN ARE BEFORE PLATE DIMENSIONS		SIZE	DRAWING NO.
		C ØLE36	066-001-00
SCALE 2X		SHEET 2 OF 2	

UNLESS OTHERWISE SPECIFIED DIMENSIONS ARE IN INCHES FRACTIONS DECIMALS ANGLES ± .XX ± .010 ± 1' ± .XXX ± .005	
MATERIAL	SEE BILL OF MATERIAL
FINISH	
NEXT ASSY	USED ON
APPLICATION	DO NOT SCALE DRAWING

4

PART NO.	DESCRIPTION
066-001-01	COAXIAL AS SHOWN W/ OUTER SILICONE JACKET, .285 DIA.
066-001-02	COAXIAL AS SHOWN W/O OUTER SILICONE JACKET, .220 DIA.
066-001-03	TRIAxIAL AS SHOWN W/ OUTER SILICONE JACKET, .375 DIA.
066-001-04	AS SHOWN ON SHEET 2

3



2

ZONE	LTR	DESCRIPTIONS	DATE	APPROVED
A	ECC 1058		11-26-91	DBP
B	#222 (19/34) WAS #20 (19/32)		4-22-96	D.B.P.
C	ECC 1610	RORN TO CAD	7-26-96	D.B.P.
D	ECC 1624		8-13-96	D.B.P.
E	ECC 3493		10-24-02	PJG
F	ECC 3624		2-10-03	MJM
G	ECC 3705		4-29-03	MJM
H	ECC 3869		11-6-03	MJM
J	ECC 4692		1-8-07	REH

1

CUSTOMER DRAWING

ELIMEL  
 TEL: 03-9514122  
 FAX: 03-9514166  
 P.O.B 5006 RISHON LEZION 761

- NOTES:
1. SEMI-CONDUCTIVE LAYERS SHALL EXHIBIT A SUPERIOR BOND TO THE PRIMARY SILICONE INSULATION.
  2. DIELECTRIC STRENGTH FROM CENTER CONDUCTOR TO SHIELD: 22 KVDC.
  3. THE NOMINAL VALUES FOR 066-001-02 ARE AS FOLLOWS:  
 CAPACITANCE = 55.3 PICO-FARADS PER FOOT  
 INDUCTANCE = 0.12 MICRO-HENRYS PER FOOT  
 CHARACTERISTIC IMPEDANCE = 47 OHMS

NO. REQD.	NO. REC'D.	PART NO.	DESCRIPTION	REV.
-	A/R	-	EXTRUDED BLACK SILICONE RUBBER JACKET .030 THK. WALL OR SILICONE RUBBER TUBING	7
-	A/R	-	6 ENDS OF 34 AWG S.P.C. SHIELD - 85% MIN. COVERAGE	6
-	A/R	-	EXTRUDED BLACK SILICONE RUBBER JACKET .030 THK. WALL OR SILICONE RUBBER TUBING	5
A/R	A/R	A/R	6 ENDS OF 34 AWG S.P.C. SHIELD - 85% MIN. COVERAGE	4
A/R	A/R	A/R	NATURAL/ WHT. EXTRUDED SILICONE RUBBER	3
A/R	A/R	A/R	BLACK, SEMI-CONDUCTIVE SILICONE RUBBER	2
A/R	A/R	A/R	#72 AWG (19/34) SILVER PLATED ALLOY PDS/TENSILEX CONDUCTOR (UNILAY CONSTRUCTION)	1
-04-03	-02	-01		REV.

UNLESS OTHERWISE SPECIFIED DIMENSIONS ARE IN INCHES DECIMALS ARE TO NEAREST .005

MATERIAL: SEE BILL OF MATERIAL

FINISH: USED DR APPLICATION

DO NOT SCALE DRAWING

UNLESS OTHERWISE SPECIFIED ALL DIMENSIONS SHOWN ARE BEFORE PLATE DIMENSIONS

SCALE: 2X

DRAWING NO: 066-001-00

SIZE: C

CODE IDENT NO: ØLE36

CONTRACT NO. **Comnetronics Corp.** 3745 Avenida, Torrance, Ca. 90507

TITLE: CABLE

APPROVALS: DRAWN: D.B.POTTER 8-14-91 DATE: 11-26-91  
 CHECKED: A.M.

BILL OF MATERIAL

4

3

2

1