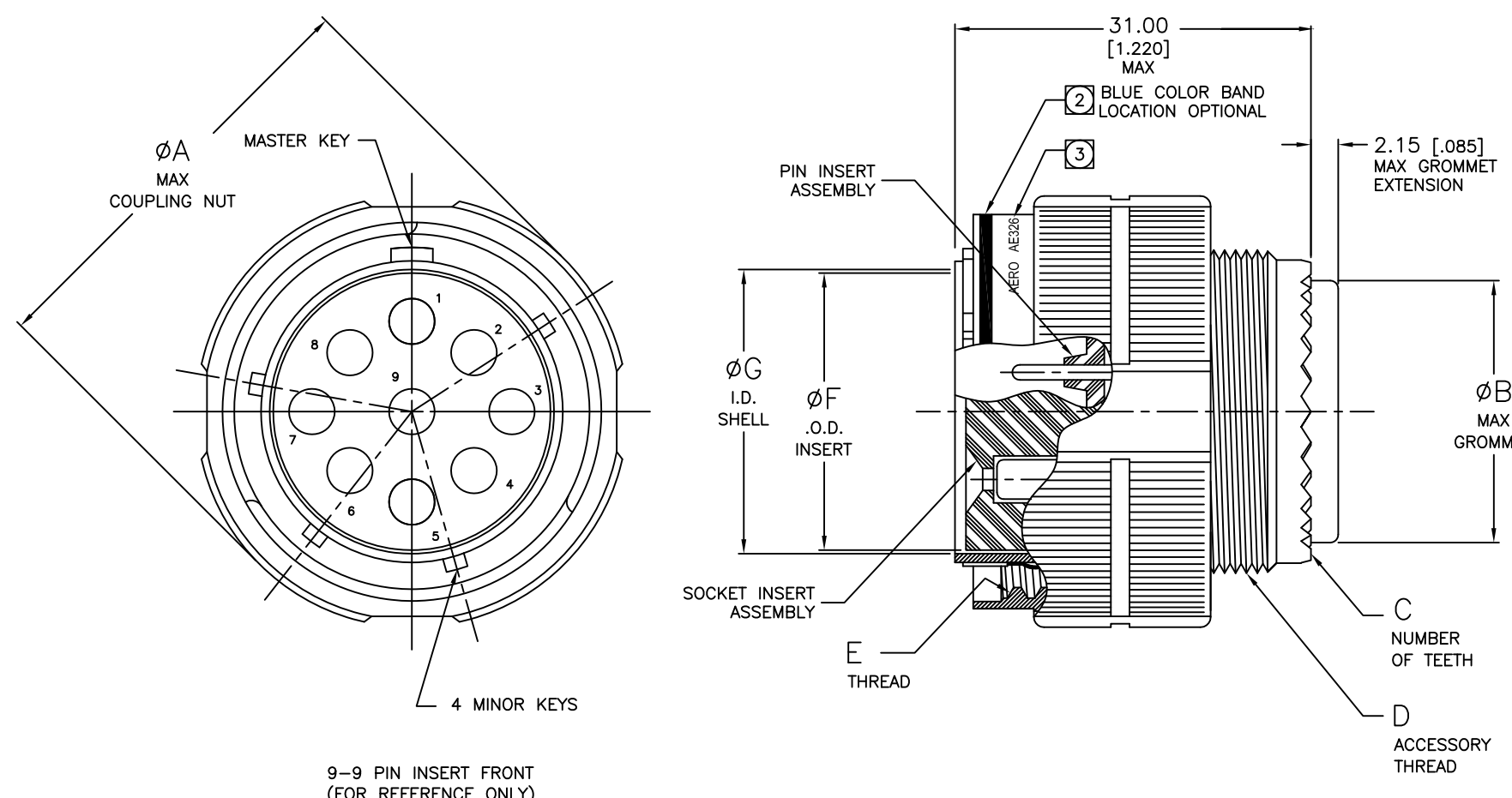


ECO NO.	LTR	DESCRIPTION	DATE	APPROVED
8061	-	NEW RELEASE	05/11/10	H.J.



AERO ELECTRIC PART NUMBER

AE9 26 W 9-9 S N - XXX

- AERO ELECTRIC MODIFICATION NUMBER
- SHELL POLARIZATION
N = NORMAL
A, B, C, D and E
- NOTE: ALL MINOR KEYS ARE ROTATED TO PROVIDE SHELL POLARIZATION, THE MASTER KEY REMAINS FIXED.
- CONTACT STYLE
P = PINS
S = SOCKET
- A = PIN (CONNECTORS USED WITH OTHER THAN STANDARD CONTACTS.)
B = SOCKET
- INSERT ARRANGEMENT
- SHELL SIZE
- CLASS/MATERIAL/FINISH
W - ALUMINUM, OLIVE DRAB CADMIUM OVER NICKEL
F - ALUMINUM, ELECTROLESS NICKEL
BZ - NICKEL ALUMINUM BRONZE, NON-FIREWALL
E - STAINLESS STEEL, PASSIVATED
L - STAINLESS STEEL, ELECTRODEPOSITED NICKEL, NON-FIREWALL
- CONNECTOR STYLE
26 = PLUG CONNECTOR WITH R.F.I. GROUNDING
- AERO PRODUCT IDENTIFIER
HIGH DENSITY SERIES IN D38999, SERIES III CONNECTOR HOUSING

PIN CONTACTS		SOCKET CONTACT		MILITARY PART NUMBER			WIRE RANGE	CONTACT SIZE
AERO PART No.	AERO PART No.	INSERTION/REMOVAL TOOLS	SEALING PLUGS	CRIMPING TOOLS				
5290-004-231H	5090-003-231H	CONSULT FACTORY	MS27488-22-2	M22520/2-01			28-22	23

SHELL SIZE	øA MAX		øB MAX		C NO. OF TEETH	D ACCESSORY THREAD	E THREAD TRIPLE START	øF		øG	
	INCH	MM	INCH	MM				INCH	MM	INCH	MM
9	.858	21.8	.298	7.59	12	M12x1.0-6g.100R	.625-.1P-.3L	.285	7.24	.387	9.83

3 MARKING: "AERO", AERO PART NO., AND MFG DATE CODE SHALL BE LOCATED APPROXIMATELY WHERE SHOWN.

2 BLUE COLOR BAND DESIGNATES REAR RELEASE CONTACT RETENTION SYSTEM.

1. A QUANTITY OF CRIMP CONTACTS CONSISTING OF THE NORMAL COMPLIMENT, PLUS ONE SPARE CONTACT FOR ARRANGEMENTS HAVING 26 CONTACTS OR LESS AND TWO (2) SPARES FOR ARRANGEMENTS OVER 26 CONTACTS AND A MINIMUM OF ONE SEALING PLUG UP TO 15% OF THE NUMBER OF CONTACTS WILL BE INCLUDED IN THE PACKAGE.

NOTES: UNLESS OTHERWISE SPECIFIED.

MATERIAL:

- PLUG SHELL.....: MACHINED ALUMINUM ALLOY
STAINLESS STEEL
NICKEL ALUMINUM BRONZE
- CONTACT RETENTION CLIP.....: BERYLLIUM COPPER ALLOY
- GROMMET, INTERFACIAL SEAL.....: SILICONE/FLUOROSILICONE ELASTOMER
- INSULATOR.....: THERMOPLASTIC

ITEM NO.	QTY REQD	CAGE NO.	PART OR IDENTIFYING NO.	NOMENCLATURE OR DESCRIPTION	MATERIAL OR FINISH	ZONE
PARTS LIST						
UNLESS OTHERWISE SPECIFIED: DIMENSIONS ARE IN INCHES TOLERANCES ON:				CONTRACT NO.		
DECIMALS .X ±.1				DRAWN S. S. DATE 05/10/10		
ANGULAR .XX ±.01				CHECK DATE		
FRACTIONS .XXX ±.005				APPROVED H. J. DATE 05/10/10		
DO NOT SCALE DRAWING				CAD FILENAME: F:\AE926-		
MATERIAL				FINISH		
TREATMENT				SCALE NONE		
THIS DRAWING AND THE DATA DISCLOSED HEREIN OR HEREWITH IS CONFIDENTIAL AND PROPRIETARY AND IS NOT TO BE REPRODUCED, USED, OR DISCLOSED IN WHOLE OR IN PART TO ANYONE WITHOUT THE EXPRESSED WRITTEN PERMISSION OF AERO ELECTRIC CONNECTOR SYSTEMS INC.				SIZE D 59976		
				CAGE NO. AE926		
				DWG. NO. AE926		
				SHEET 1 of 1		

AE926