

DWG. NO.		AE65-372		REVISION		1	
EDD NO.	LTR	DESCRIPTION	DATE	APPROVED			
7849	-	NEW RELEASE	12/29/09	H.J.			

AERO ELECTRIC PART NUMBER  
AE65-372- W A 35 P A

**SHELL POLARIZATION**  
N = NORMAL  
A, B, C, D and E

NOTE: ALL MINOR KEYS ARE ROTATED TO PROVIDE SHELL POLARIZATION, THE MASTER KEY REMAINS FIXED.

**CONTACT STYLE**  
P = PINS  
S = SOCKET

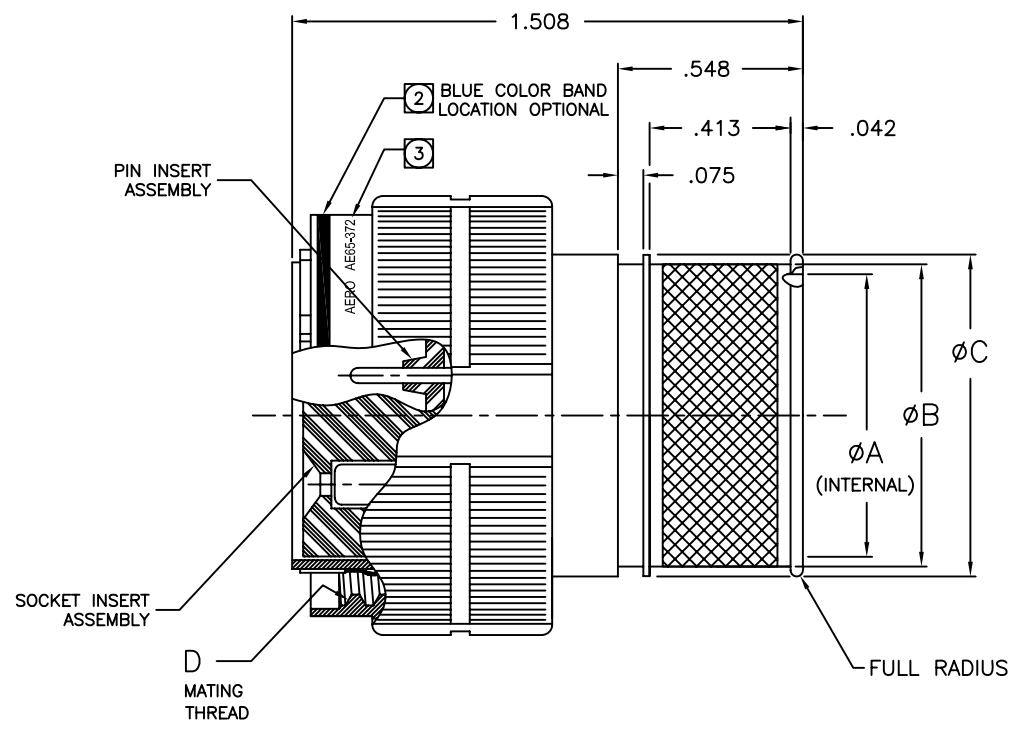
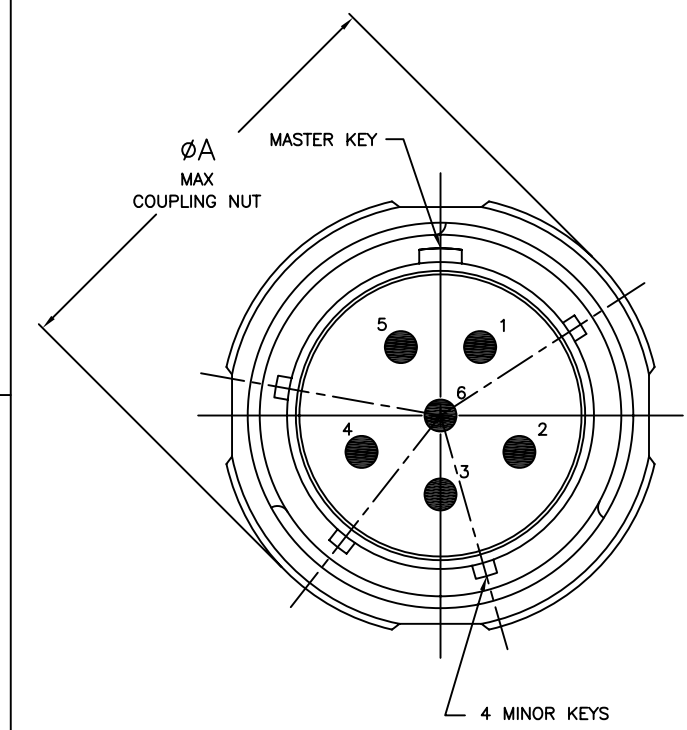
A = PIN (CONNECTORS USED WITH OTHER THAN STANDARD CONTACTS.)  
B = SOCKET

**INSERT ARRANGEMENT**  
PER MIL-STD-1560

**SHELL SIZE**  
A = 9, B = 11, C = 13, D = 15, E = 17,  
F = 19, G = 21, H = 23 & J = 25

**CLASS/MATERIAL/FINISH**  
W - ALUMINUM, OLIVE DRAB CADMIUM OVER NICKEL  
F - ALUMINUM, ELECTROLESS NICKEL  
G - STAINLESS STEEL, PASSIVATED, NON-FIREWALL  
K - STAINLESS STEEL, PASSIVATED, FIREWALL

**AERO PROJECT IDENTIFIER**  
SPECIAL PROJECT NUMBER  
AE65 DESIGNATES A D38999 SER III COMPATIBLE CONNECTOR



SHELL SIZE	MS SHELL CODE	ØA	ØB	ØC	D THREAD TRIPLE START
09	A	.345	.403	.466	.625-.1P-.3L
11	B	.473	.523	.585	.750-.1P-.3L
13	C	.587	.641	.703	.875-.1P-.3L
15	D	.712	.799	.861	1.000-.1P-.3L
17	E	.837	.971	.979	1.187-.1P-.3L
19	F	.943	1.035	1.097	1.250-.1P-.3L
21	G	1.068	1.153	1.215	1.375-.1P-.3L
23	H	1.193	1.271	1.333	1.500-.1P-.3L
25	J	1.318	1.388	1.450	1.625-.1P-.3L

3. MARKING: "AERO", AERO PART NO. AND MFG DATE CODE SHALL BE LOCATED APPROXIMATELY WHERE SHOWN.
2. BLUE COLOR BAND DESIGNATES REAR RELEASE CONTACT RETENTION SYSTEM.
1. CRIMP CONTACTS TO BE SUPPLIED PER MIL-DTL-38999 REQUIREMENTS.
- NOTES: UNLESS OTHERWISE SPECIFIED.

**MATERIAL:**

PLUG SHELL.....: MACHINED ALUMINUM ALLOY  
STAINLESS STEEL

CONTACT RETENTION CLIP.....: BERYLLIUM COPPER ALLOY

GROMMET, INTERFACIAL SEAL.....: SILICONE/FLUOROSILICONE ELASTOMER

INSULATOR.....: REINFORCED EPOXY AND OTHER RIGID DIELECTRIC FIREWALL MATERIAL

ITEM NO.	QTY REQD	CAGE NO.	PART OR IDENTIFYING NO.	NOMENCLATURE OR DESCRIPTION	MATERIAL OR FINISH	ZONE
PARTS LIST						
UNLESS OTHERWISE SPECIFIED: DIMENSIONS ARE IN INCHES TOLERANCES ARE: DECIMALS .01 ANGULAR ± .25' SURF ± .01 FRACTIONS ± .005 JOINT ± .002 ± 1/32 DO NOT SCALE DRAWING				CONTRACT NO. 2280 208th street Torrance, CA 90501		
NEXT ASSY		USED ON		DRAWN V.KAGEORGIS DATE 12/21/09		
APPLICATION		FINISH		CHECKED DATE		
TREATMENT		CAD FILENAME: F:AE65-372-		APPROVED H.JAMSHIDIAN DATE 12/21/09		
TITLE				SIZE CAGE NO. DWG. NO.		
CUSTOMER USE DRAWING				D 59976 AE65-372		
SPECIAL RFI PLUG CONNECTOR				SCALE NONE SHEET 1 of 1		
CLASSES 'W', 'F', 'G' & 'K' REF: D38999/26						

FORM NO. AE65-372